



HSB 630 P 60cm Multifunction Oven and DualClean system



DualClean:
Pyrolysis +
HydroClean



HydroClean



70L capacity



Plus extension
telescopic
guide



Pyrolytic
cleaning
system with 3
cleaning levels

DESCRIPTION

60cm Multifunction Oven and DualClean system

LIFE STYLE

Total

COLORS

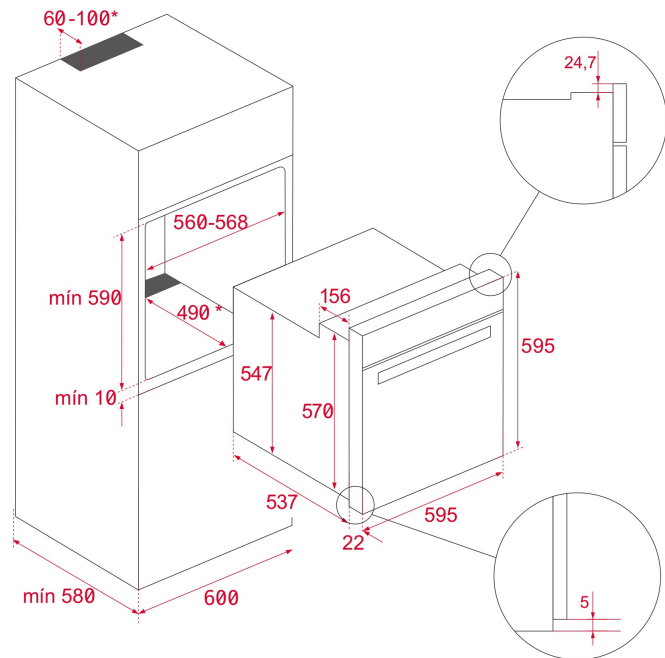


REFERENCE

REF. 41566050
EAN. 8421152148860

FEATURES

Pyrolytic Multifunction
3 pyrolytic cleaning cycles
HydroClean® PRO cleaning system
Enamel Slippery
A+ Energy class: up to 20% less consumption
Capacity, gross/net: 71/70 litres
Touch Control panel with LED display
Express preheating
ECO & defrosting functions
Children safety block, timer and door
Automatic disconnection security system
4 removable glazed door
Full glass inner door
1 telescopic guide
Anti-tip deep tray and cooking grid
Tangential ventilation Plus with 2 speeds
Optional Multicook and cast aluminium tray



DIMENSIONS

Product height (mm): 595

Product width (mm): 595

Product depth (mm): 537+22

Product length (mm):

Net weight (Kg): 34

TECH SPECS

PARTICULAR CHARACTERISTICS

Certificates: N / CE / CCA / CB

Number of cavities: 1

Enamelled cavity: Yes

Min. Temperature Regulator (°C): 50

Max. Temperature Regulator (°C): 250

Function selector: 11+0

Number of cooking functions: 8

Top + Bottom function: Yes

Grill function: Yes

MaxiGrill function: Yes

Top + Bottom + Fan function: Yes

MaxiGrill + Fan function: Yes

Bottom function: Yes

ECO function: Yes

Mechanical quick heating: Yes

Touch Control Programmer: Yes

Removable chromed tray guides: Yes

Number of guide levels: 5

Easy slide telescopic guides: Yes

ELECTRIC CONNECTION

Maximum Nominal Power (W): 3552

Frequency (Hz): 50/60

Power rate (V): 220-240

Cable Connection Length (cm): 110

Inside light Consumption (W): 25

ENERGY CONSUMPTION

Energy consumption per cycle in conventional mode (kWh):
0.88

Energy consumption per cycle in fan-forced convection mode (kWh): 0,68

Bottom Heating Element (W): 1050

Grill (W): 1400

Maxi Grill (W): 2450

Traditional (W): 2450

Multifunction Turbo (W): 25

Cooling Fan Motor (W): 30

SECURITY SYSTEM

Automatic disconnection when opening the door: Yes

Panel blocking system: Yes

Children safety block option: Yes

Grill protection: Yes

Anti-tip tray system: Yes

Safety Thermostat: Yes

CLEANING SYSTEM

Crystal Clean Enamel (Slippery): Yes

Hydroclean PRO: Yes

Pyrolytic: Yes

DualClean: Yes

ACCESSORIES

Deep Tray (50 mm): 1

Standard grid: 1



HSB 630 P

ENERGY LABEL

The energy label for the TEKA HSB 630 P dishwasher features the following information:

- Top Header:** European Union flag, "ENERG" logo with "Y IJA" and "IE IA" icons, and the text "енергия - енергия".
- Brand and Model:** TEKA logo and "HSB 630 P".
- Energy Efficiency Scale:** A vertical bar with seven colored segments representing classes A+++ (dark green), A++ (green), A+ (light green), A (yellow), B (orange), C (red), and D (dark red). An arrow points to the A+ class.
- Capacity:** A box with a dishwasher icon and the text "70 L".
- Energy Consumption:** Two boxes: one with a top rack icon and "0.88 kWh/cycle*", and another with a bottom rack icon and "0.68 kWh/cycle*".
- Footnote:** A small line of text in multiple languages: "* upper - cycle; portion - zmlka; nahorajnja - odo; fuinkel - otpramo; ciklus - ciklus; odo - odo; cycle - cycle; odo - odo; program - cycle".
- Reference:** "65/2014" at the bottom left.