



DHC 90 Wall-mounted Extractor Hood Ultraslim DHC 90 SLIM



LED lighting



Stop delay timer

DESCRIPTION

Wall-mounted Extractor Hood Ultraslim DHC 90 SLIM

LIFE STYLE

Maestro

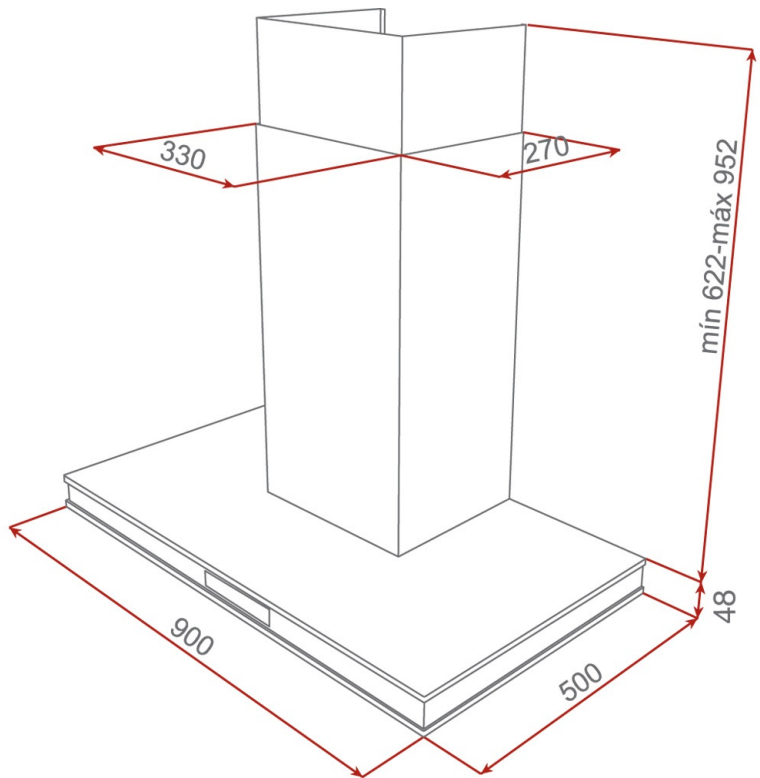
COLORS

REFERENCE

REF. 40487500
EAN. 8421152089842

FEATURES

Ultraslim decorative hood
Touch control panel
Conventional aspiration
3 speeds + 1 intensive
Exhaust capacities:
Free Outlet (m³/h) 850
Max. (m³/h) 650
Min. (m³/h) 295
Noise (LwA) Max Speed 56 dB
Noise (LwA) Min Speed dB 48 dB
LED illumination
1 stainless steel-aluminium filters
Stop delay timer
Time clock
Easy-clean inside panel
Reinforced black glass upper structure



DIMENSIONS

Product height (mm): 667-997
Product width (mm): 900
Product depth (mm): 500
Product length (mm):
Net weight (Kg): 23

TECH SPECS

FEATURES

Certificates: CE; CB; Rohs
Ø Outlet (mm): 150
Inside light Consumption (W): 3
Plug type: European plug
Power rate (V): 220-240
Frequency (Hz): 50/60
Total hood power (W): 242
Number of motors: 1
Motor power (W): 230

ACCESSORIES

Anti Return valve: Yes
Outlet reduction: Yes
Optional Charcoal Filter: C1RTK
Regenerative charcoal filter: R1RTK
Conventional recirculation kit (opt) - w/tube cover: CFH 15200
L2C
Regenerative recirculation kit (opt) - w/tube cover: RFH 15200
L2C

MODELS

Number of filters: 1

Stop delay timer: Yes

Time clock: Yes

Easy-clean inside panel: Yes

Number of speeds: 3+1

