



**DW 605 S** 60cm Partially Integrated Dishwasher with 6 washing programs



ECO function

**DESCRIPTION**

60cm Partially Integrated Dishwasher with 6 washing programs

**LIFE STYLE**

Total

**COLORS**



**REFERENCE**

REF. 40782950  
EAN. 8421152121948

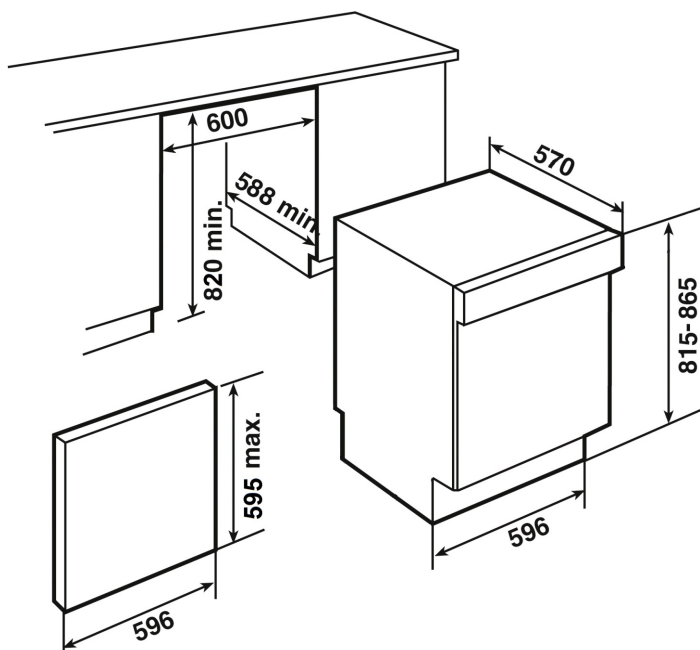


**TEKA**

**DW 605 S**

**FEATURES**

Partially integrated dishwasher  
Electronic control panel  
Place Settings : 12  
Washing programs : 6  
Washing temperatures: 40°,  
50°, 55°, 60°, 65°C  
Full Aquastop  
Delay timer 3-6-9h  
Half load program  
Fast program 40 minutes  
Eco program  
Adjustable upper basket  
Water softener  
Indicator pilots for : Selected program,  
lack of salt and rinse aid, delay timer  
Back feet adjustment from front  
Energy class : A++/A  
Noise level Db( A ): 49  
Power supply : 220/240V -50 Hz



## DIMENSIONS

Product height (mm): 815-865

Product width (mm): 570

Product depth (mm): 598

Product length (mm):

Net weight (Kg): 34

## TECH SPECS

### FITTING MEASURES

Built-in niche height (cm): 82  
 Minimum door height (mm): 540  
 Maximum door height (mm): 538  
 Plinth (mm): 50  
 Door width (mm): 595

### PRODUCT SHEET

Capacity (Place Settings): 12  
 Energy consumption (kWh/year): 258  
 Power consumption (Kwh): 0,91  
 Water consumption (litres/year): 3080  
 Water consumption (litres): 11  
 Standard program: ECO  
 Standard cycle duration (minutes): 190  
 Noise level (dB): 49  
 Certificates: GS/CE/EMC/Rohs

### POWER SUPPLY

Frequency (Hz): 50  
 Power rate (V): 220-240  
 Power rate (W): 1760-2100  
 Plug type: EU  
 Maximum Nominal Power (W): 2100

**PARTICULAR  
CHARACTERISITICS**

**Type of installation:** Built-in  
**Number of programs:** 6  
**Number Of Washing Temperatures:** 5  
**Water softener:** Yes  
**Microfilter:** Yes

**SECURITY SYSTEM**

**Internal Leakage Control:** Yes  
**Aquastop:** Yes

**CONTROL INDICATOR LIGHTS**

**Low Salt Aid indicator:** Yes  
**Low Rinse Aid indicator:** Yes  
**Selected program indicator:** Yes  
**End of program acoustic alarm:** Yes  
**End of program visual alarm:** Yes

**SPECIAL FUNCTIONS**

**Fast program:** Yes  
**Fast program (minutes):** 30  
**1 Hour program:** Yes  
**Economic program:** Yes  
**Intense program:** Yes  
**Half load:** Yes  
**Delayed Timer (h):** 3-6-9

**EQUIPMENT**

**Adjustable Feet Back:** Yes  
**Adjustable feet front:** Yes  
**Adjustable back feet from front:** Yes



DW 605 S

ENERGY LABEL

