



HL 850 Multifunction oven with pop out and touch control in 60 cm



DESCRIPTION

Multifunction oven with pop out and touch control in 60 cm

LIFE STYLE

Maestro

COLORS



REFERENCE

REF. 41555610
EAN. 8421152092354



TEKA

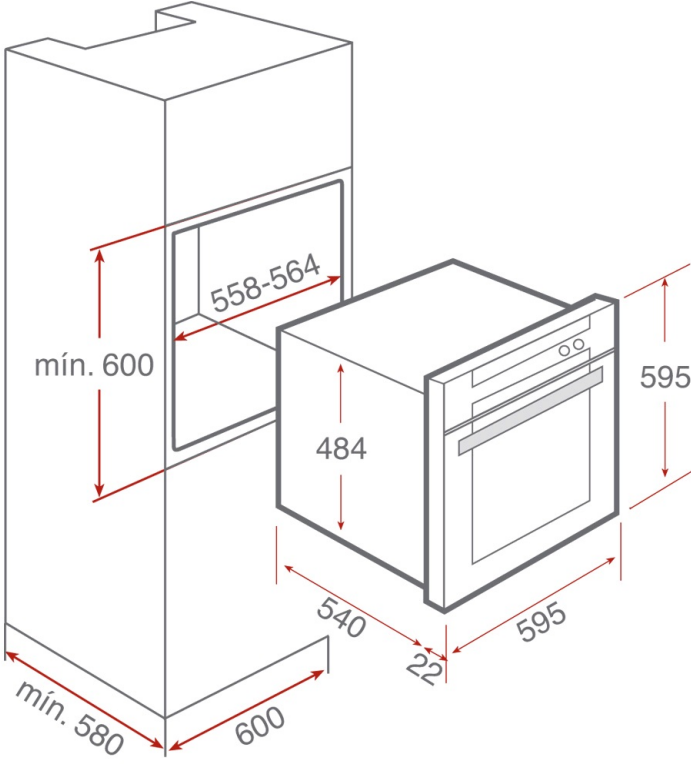
HL 850

FEATURES

Multi-function oven
Capacity: 56 Litres
9 cooking functions
Digital display
Teka Hydroclean® cleaning system
Cool touch door
2 telescopic tray guides, with an extra extend telescopic plus tray guide
Auto temperature/time via selected function
Multi-function touch control panel
Stainless steel – Fingerprint proof
Energy class: A
Gross capacity: 65 litres
Cavity with Hydroclean enamel
Full glass inner door
Low temperature eco cooking function
Mixed chamber cooling system
Express pre-heating function
Child safety lock
Deep tray (50mm) and baking tray with Hydroclean enamel



HL 850



DIMENSIONS

- Product height (mm):
- Product width (mm):
- Product depth (mm):
- Product length (mm):
- Net weight (Kg):

