



QUADRO DLV 998 90cm A++ Urban Colors Edition Vertical Hood with Contour rim system extraction



LED



Perimeter extraction



Stop Delay Timer

DESCRIPTION

90cm A++ Urban Colors Edition Vertical Hood with Contour rim system extraction

LIFE STYLE

Maestro

COLOURS



REFERENCE

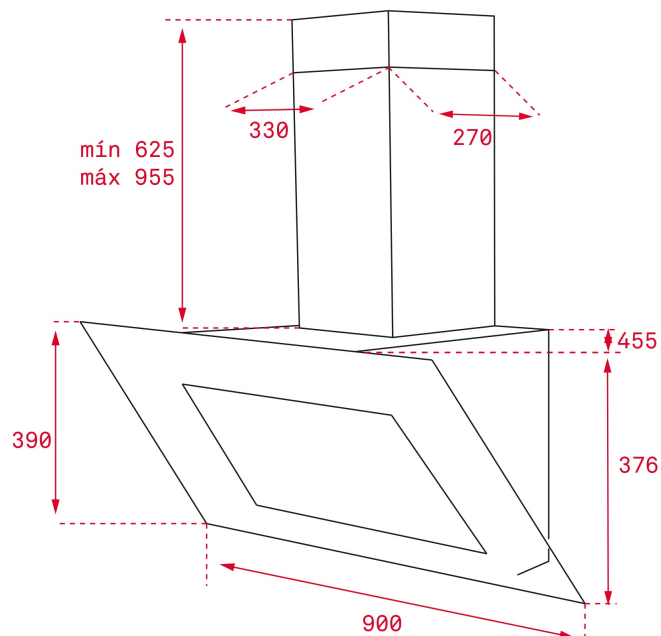
REF. 40437210
EAN. 8421152145692

FEATURES

Quadro vertical hood
EcoPower motor
Energy Efficiency class: A++
Rim extraction
Touch control panel
Operating pilot light
3 speeds + 1 intensive
Exhaust capacities:
Free Outlet, m³/h: 890
Qboost, m³/h: 815
Max., m³/h: 626
Min., m³/h: 264
Noise (LwA) Boost Speed, dB: 64,7
Noise (LwA) Max Speed, dB: 58,2
Noise (LwA) Min Speed, dB: 37,4
1 LED bar
2 Glass panel; aluminum filter below
Stop delay timer
Filter saturation indicator

DIMENSIONS

Product height (mm): 800/1200
Product width (mm): 900
Product depth (mm): 450
Product length (mm):
Net weight (Kg): 19,77



TECH SPECS

PARTICULAR CHARACTERISTICS

Type of hood: Vertical
Style: Decoratives
Certificates: CE; CB; Rohs
Ø Outlet (mm): 150
Type of inner light: LED
Inside light Consumption (W): 7
Plug type: Schuko plug
Power rate (V): 230
Frequency (Hz): 50
Total hood power (W): 172
Number of motors: 1
Motor power (W): 165
Exhaust Capacity - Free Outlet (m3/h): 890

**EU REGULATION NO. 65/2014
&66/2104**

Annual energy consumption AEC kWh/annum (kWh): 27,0
Energy Efficiency Class: A++
Fluid Dynamic Efficiency (FDEhood): 38,2
Fluid Dynamic Efficiency class: A
Light Efficiency (Lehood) lux/Watt: 55,7
Lighting Efficiency class: A

**PRODUCT INFORMATION
SHEET - DELEGATED
REGULATION (EU) 65/2014**

ACCESSORIES

MODELS

Grease Filtering Efficiency class: C
Air flow (Qmin) m³/h: 264
Air flow (Qmax): 626
Air flow (Qboost): 816
Noise (LwA) Min Speed (dB): 37
Noise (LwA) Max Speed (dB): 58
Noise (LwA) boost speed (dB): 65
Off mode Power (Po) W: 0,32
Energy Efficiency Index (EEI): 36,4
Time increase factor: 0,6
Electric power input at best efficiency point (Wbep) W: 100,0
Nominal power of the lighting system (WL) W: 7
Average illumination of the lighting system on the cooking surface (Emiddle) Lux: 390

Anti Return valve: Yes
Outlet reduction: Yes

Number of filters: 2
Filter description: Glass panel; aluminum filter below
Control panel: Touch control white display
Stop delay timer: Yes
Filter saturation indicator: Yes
Time clock: Yes
Number of speeds: 3+1

Supplier name or trademark: TEKA
Model identifier: QUADRO DLV 998
Annual Energy Consumption: 27,0
Energy Efficiency Class: A++
Fluid Dynamic Efficiency: 38,2
Fluid Dynamic Efficiency class: A
Lighting Efficiency: 55,7
Lighting Efficiency class: A
Grease Filtering Efficiency:
Grease Filtering Efficiency class: C
Air flow (min speed normal use): 264
Air flow (max speed normal use): 626
Air flow (intensive or boost use): 816
Airborne acoustical A-weighted sound power emissions (min speed normal use): 37
Airborne acoustical A-weighted sound power emissions (max speed normal use): 58
Airborne acoustical A-weighted sound power emissions (intensive or boost use): 65
Power consumption in off mode (W): 0,32
Power consumption in standby mode (W): n.a



QUADRO DLV 998

ENERGY LABEL

