



NFE3 620 X Full No Frost Side By Side Refrigerator 179cm with 2 doors and Touch panel



On Holidays
function



Eco Function



Fresh Box



Full No Frost



LED

DESCRIPTION

Full No Frost Side By Side Refrigerator 179cm with 2 doors and Touch panel

LIFE STYLE

Maestro

COLOURS

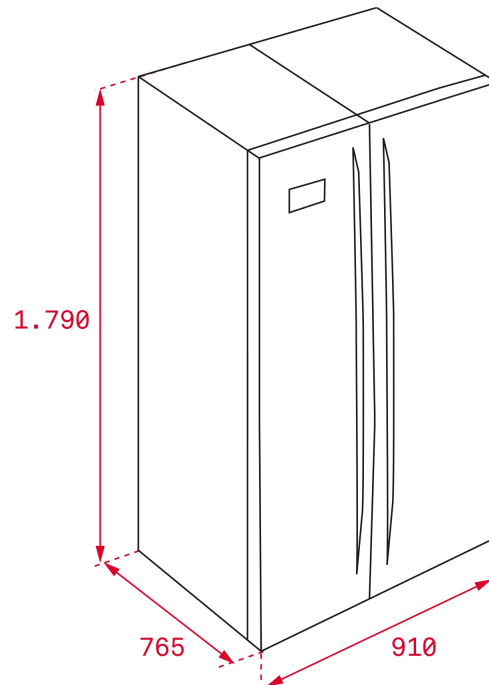


REFERENCE

REF. 40659530
EAN. 8421152119563

FEATURES

Full No Frost side by side refrigerator
Touch control panel
LCD digital display
Fingerprint proof stainless steel door
4 * freezer
Intelligent cooling system
3 antibacterial systems
Fuzzy logic temperature control system
Eco function
On holidays function
Fast Freeze / Quick Cool function
Pilot lights : fuzzy logic, super freezing, refrigerator/freezer temperature
Safety glass shelves
LED inner light
0-3° Zone
1 vegetable drawer
Chromed bottle rack
Climate Class : SN-T
Noise level : 45 dBA
Total gross capacity : 640 litres
Net capacity (fridge): 353 litres
Net capacity (chiller): 15 litres
Net capacity (freezer): 190 litres
Voltage : 220-240v/50 Hz



DIMENSIONS

Product height (mm): 1790
Product width (mm): 910
Product depth (mm): 765
Product length (mm):
Net weight (Kg): 113,7

TECH SPECS

FITTING MEASURES

Built-in Width (mm): 0
Built-in Depth (mm): 0
Built-in Height (mm): 0

PRODUCT SHEET

Cooling system: FULL NF
No Frost In Refrigerator Compartment: Yes
No Frost in freezer compartment: Yes
Total gross capacity (litres): 635
Refrigerator compartment capacity (litres): 338
Chilling Compartment Capacity (litres): 15
Freezer compartment capacity (litres): 190
Freezer classification: 4
Freezing capacity: 13,0
Annual Consumption (kWh/year): 485
Temperature Rise Time (h): 8
Climate class: SN/T
Noise level (dB): 43
Certificates: CE, CB

POWER SUPPLY

Frequency (Hz): 50
Power rate (V): 220-240
Power rate (W): 135
Defrost element power (W): 160
Energy consumption (kw/day): 1,329

PARTICULAR CHARACTERISTICS

Type of installation: Free standing
Automatic defrosting in the refrigeration compartment: Yes
Automatic defrosting in the freezer compartment: Yes
Electronic adjustable thermostat: Yes
Display on door: Yes
Fingerprint proof door: Yes
Antibacterial treatment: YES
Freezing set button: Yes
Cooling set button: Yes
Lock function: Yes
Fast freezing: Yes
Fast Cooling Function: Yes
On Holidays Function: Yes
ECO function: Yes
Inner light: Yes
Type of inner light: LEDS ON SIDE
External handle: Yes

CONTROL INDICATOR LIGHTS

Operating light fridge: Yes
Operating light freezer: Yes
Freezer compartment temperature display: Yes
Fast freezing indicator: Yes
Acoustic alarm: Yes
Visual alarm: Yes

EQUIPMENT

Antibacterial gasket: Yes
Multipurpose compartment: NO
Adjustable feet front: Yes
Roller (rear): Yes
Refrigerator adjustable shelves: Yes
Vegetable drawers: 2
Temperature and humidity regulation in drawers: FRESH BOX

PRODUCT INFORMATION SHEET (UE) 2019/2016

Supplier name or trademark: TEKA
Supplier's address: C/Cajo, 17, 39011, Santander , Spain
Model identifier: NFE3 620 X

Type of refrigerating appliance

Overall dimensions (mm)

Height: 1790
Width: 910
Depth: 765
Climate class: SN/T

Light source parameters

Light source parameters

Additional information:

Weblink to the manufacturer's website, where the information in point 4(a) Annex of Commission Regulation (EU) 2019/2019 (1) (b) is found: (a) as determined in accordance with Commission Delegated Regulation (EU) 2019/2015 (2). (b) changes to these items shall not be considered relevant for the

purposes of point 4 of Article 4 of Regulation (EU) 2017/1369.

(c) if the product database automatically generates the definitive content of this cell the supplier shall not enter these data.

(1) Commission Regulation (EU) 2019/2019 of 1 October 2019 laying down ecodesign requirements for refrigerating appliances pursuant to Directive 2009/125/EC of the European Parliament and of the Council and repealing Commission Regulation (EC) No 643/2009 (see page 187 of this Official Journal).(2)

(2) Commission Delegated Regulation (EU) 2019/2015 of 11 March 2019 supplementing Regulation (EU) 2017/1369 of the European Parliament and of the Council with regard to energy labelling of light sources and repealing Commission Delegated Regulation (EU) No 874/2012 (see page 68 of this Official Journal).

