



## TFI3 130 D Built-in Refrigerator in 85cm



Easy 90



LED

### DESCRIPTION

Built-in Refrigerator in 85cm

### LIFE STYLE

Total

### COLOURS



### REFERENCE

REF. 40695051  
EAN. 8421152114353



## TFI3 130 D

### FEATURES

Built-under refrigerator

Mechanical control panel

4\* freezer

Manual defrost

Safety glass shelves

Door on door installation

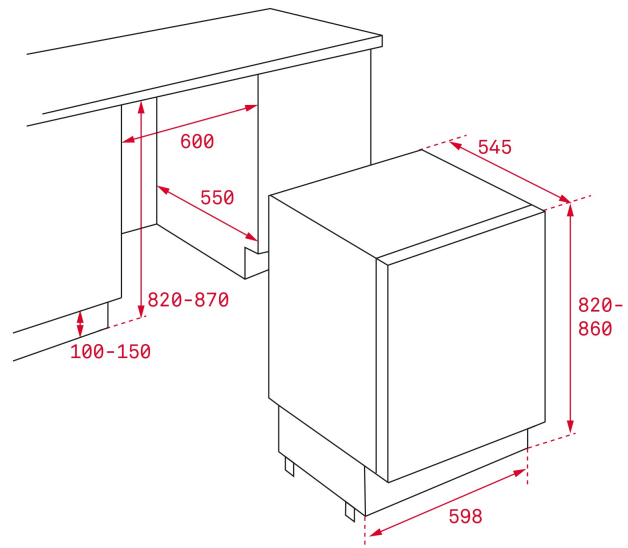
Reversible door

:

Climate Class: SN-T

Total gross capacity: 125 litres

Net capacity (fridge): 105 18 litres



## DIMENSIONS

**Product height (mm):** 818  
**Product width (mm):** 595  
**Product depth (mm):** 545  
**Product length (mm):**  
**Net weight (Kg):** 29

## TECH SPECS

### FITTING MEASURES

**Built-in niche (cm):** 82

### PRODUCT SHEET

**Cooling system:** Defrost  
**Total gross capacity (litres):** 125  
**Refrigerator compartment capacity (litres):** 92  
**Freezer compartment capacity (litres):** 15  
**Freezer classification:** 4  
**Freezing capacity:** 2  
**Annual Consumption (kWh/year):** 138  
**Temperature Rise Time (h):** 10  
**Climate class:** SN/T  
**Noise level (dB):** 39

### POWER SUPPLY

**Frequency (Hz):** 50  
**Power rate (V):** 230  
**Power rate (W):** 65  
**Energy consumption (kw/day):** 0,378  
**Plug type:** European  
**Cable Connection Length (cm):** 193

**PARTICULAR  
CHARACTERISTICS**

**Type of installation:** Built-in  
**Automatic defrosting in the refrigeration compartment:** Yes  
**Control panel:** Mechanical  
**Antibacterial treatment:** NO  
**Cooling set button:** Yes  
**Inner light:** Yes  
**Type of inner light:** LED BULB  
**Reversible doors:** Yes

**EQUIPMENT**

**Chromed bottle rack:** NO  
**Antibacterial gasket:** Yes  
**Multipurpose compartment:** NO  
**Ice cubes tray:** 1  
**Bottle rack type:** NO  
**Adjustable feet front:** Yes  
**Roller (rear):** Yes  
**Number of shelves:** 2  
**Refrigerator adjustable shelves:** Yes  
**Vegetable drawers:** 0

**PRODUCT INFORMATION  
SHEET (UE) 2019/2016**

**Supplier name or trademark:** TEKA  
**Supplier's address:** C/Cajo, 17, 39011, Santander , Spain  
**Model identifier:** TF13 130 D

**Type of refrigerating appliance**

**Design type:** NA

**Overall dimensions (mm)**

**Height:** 818

**Width:** 595

**Depth:** 545

**Total volume (dm<sup>3</sup> or l):** NA

**Airborne acoustical noise emissions (dB(A) re 1 pW):** NA

**Airborne acoustical noise emission class:** NA

**Annual energy consumption (kWh/a):** NA

**Climate class:** SN/T

**Minimum ambient temperature (°C), for which the refrigerating appliance is suitable:** NA

**Maximum ambient temperature (°C), for which the refrigerating appliance is suitable:** NA

**Light source parameters**

**Light source - Type of light source:** NA

**Light source - Energy efficiency class:** NA

**Light source parameters**

**Light source - Type of light source:** NA

**Light source - Energy efficiency class:** NA

**Additional information:**

Weblink to the manufacturer's website, where the information in point 4(a) Annex of Commission Regulation (EU) 2019/2019 (1) (b) is found:  
(a) as determined in accordance with Commission Delegated Regulation (EU) 2019/2015 (2).

(b) changes to these items shall not be considered relevant for the purposes of point 4 of Article 4 of Regulation (EU) 2017/1369.

(c) if the product database automatically generates the definitive content of this cell the supplier shall not enter these data.

(1) Commission Regulation (EU) 2019/2019 of 1 October 2019 laying

down ecodesign requirements for refrigerating appliances pursuant to Directive 2009/125/EC of the European Parliament and of the Council and repealing Commission Regulation (EC) No 643/2009 (see page 187 of this Official Journal).(2)

(2) Commission Delegated Regulation (EU) 2019/2015 of 11 March 2019 supplementing Regulation (EU) 2017/1369 of the European Parliament and of the Council with regard to energy labelling of light sources and repealing Commission Delegated Regulation (EU) No 874/2012 (see page 68 of this Official Journal).



TFI3 130 D

ENERGY LABEL

