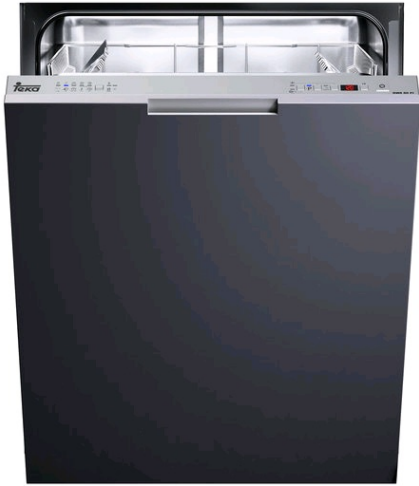




DW8 80 FI 60cm Fully Integrated Dishwasher



Eco Function



A Energy Class



Water dirtiness sensor
Aqualogic

DESCRIPTION

60cm Fully Integrated Dishwasher

LIFE STYLE

Maestro

COLOURS



REFERENCE

REF. 40716240
EAN. 8421152072257

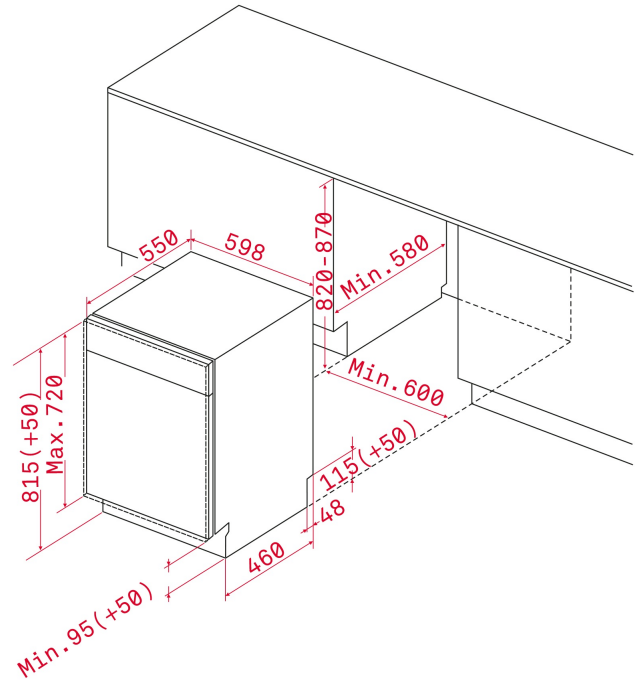


TEKA

DW8 80 FI

FEATURES

Fully integrated dishwasher
Electronic control panel
LED display
Fingerprint proof stainless steel door
Place Settings : 13
Washing programs : 10
Washing temperatures : 38°, 45°, 55°,
65°, 70° C
Full Aquastop
Aqualogic
3 in 1 selector
Delay timer 1-24h
Dual half load
Fast program 38 minutes
Auto program
Eco program
Third sprayer
Indicator pilots for : Selected program,
lack of salt and rinse aid
Back feet adjustment from front
Floating hinges
Energy class : A+/A
Noise level Db(A) : 45
Power supply : 220/230V -50 Hz



DIMENSIONS

Product height (mm): 820-870
Product width (mm): 596
Product depth (mm): 550
Product length (mm):
Net weight (Kg): 45

TECH SPECS

FITTING MEASURES

Built-in niche height (cm): 82

PRODUCT SHEET

Capacity (Place Settings): 13
Energy Efficiency Class: A+
Energy consumption (kWh/year): 294
Power consumption (Kwh): 1,05
Water consumption (litres/year): 2660
Water consumption (litres): 9.5
Washing efficiency: A
Drying efficiency class: A
Noise level (dB): 45
Certificates: CE-VDE

POWER SUPPLY

Frequency (Hz): 50
Power rate (V): 220-230
Power rate (W): 1900
Plug type: EU
Maximum Nominal Power (W): 1900

**PARTICULAR
CHARACTERISTICS**

Type of installation: Built-in
Control panel: Electronic buttons
Number of programs: 10
Number Of Washing Temperatures: 5
Aqua-Logic: Yes
Water softener: Yes
Microfilter: Yes

SECURITY SYSTEM

Internal Leakage Control: Yes
Aquastop: Yes

CONTROL INDICATOR LIGHTS

Low Salt Aid indicator: Yes
Low Rinse Aid indicator: Yes
Selected program indicator: Yes
End of program acoustic alarm: Yes
End of program visual alarm: Yes

SPECIAL FUNCTIONS

Fast program: Yes
Fast program (minutes): 38
Economic program: Yes
Alternative wash (Zone Wash): Yes
Delayed Timer (h): 1-24

EQUIPMENT

Adjustable Feet Back: Yes
Adjustable feet front: Yes
3rd sprayer: Yes
Adjustable back feet from front: Yes



DW8 80 FI

ENERGY LABEL

