



**LP8 810** A++ Free Standing Dishwasher for 12 place settings and 5 washing programs



Eco Function



A Energy Class

**DESCRIPTION**

A++ Free Standing Dishwasher for 12 place settings and 5 washing programs

**LIFE STYLE**

Easy

**COLOURS**



**REFERENCE**

REF. 40782071  
EAN. 8421152144534

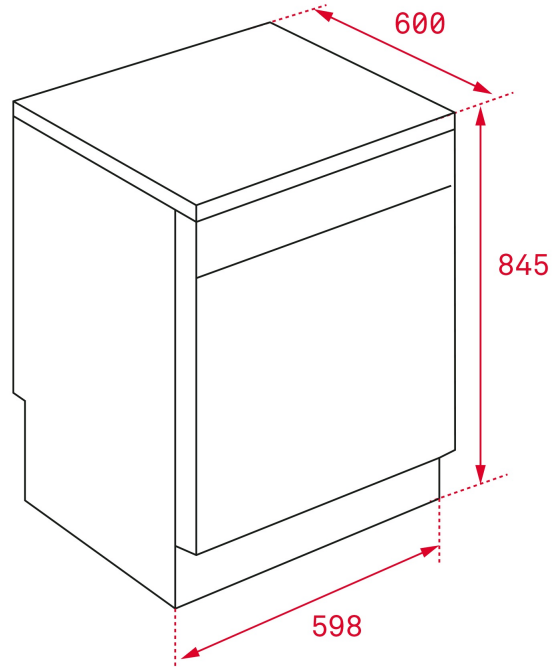


**TEKA**

**LP8 810**

## **FEATURES**

Free-standing dishwasher  
Electronic control panel  
Place settings: 12  
Washing programs: 5  
Washing temperatures: 45°, 55°, 60°, 65°C  
Half load program  
Fast program 30 minutes  
Eco Program  
AquaStop safety system  
Delay timer 3-6-9 hours  
Adjustable upper basket  
Energy Class: A++/A  
Noise level: 49 dBA



## DIMENSIONS

**Product height (mm):** 845  
**Product width (mm):** 598  
**Product depth (mm):** 600  
**Product length (mm):**  
**Net weight (Kg):** 40,5

## TECH SPECS

### FITTING MEASURES

**Built-in niche height (cm):** NA

### PRODUCT SHEET

**Capacity (Place Settings):** 12  
**Energy Efficiency Class:** A++  
**Energy consumption (kWh/year):** 258  
**Power consumption (Kwh):** 0,91  
**Water consumption (litres/year):** 3080  
**Water consumption (litres):** 11  
**Washing efficiency:** A  
**Drying efficiency class:** A  
**Standard program:** ECO  
**Standard cycle duration (minutes):** 190  
**Noise level (dB):** 49  
**Certificates:** GS/CE/EMC/Rohs

### POWER SUPPLY

**Frequency (Hz):** 50  
**Power rate (V):** 220-240  
**Power rate (W):** 1760-2100  
**Plug type:** EU

**PARTICULAR  
CHARACTERISTICS**

**Maximum Nominal Power (W):** 2100

**Type of installation:** Free standing

**Control panel:** Electronic buttons

**Number of programs:** 5

**Number Of Washing Temperatures:** 4

**Water softener:** Yes

**Microfilter:** Yes

**SECURITY SYSTEM**

**Internal Leakage Control:** Yes

**CONTROL INDICATOR LIGHTS**

**Low Salt Aid indicator:** Yes

**Low Rinse Aid indicator:** Yes

**Selected program indicator:** Yes

**SPECIAL FUNCTIONS**

**Fast program:** Yes

**Fast program (minutes):** 30

**Economic program:** Yes

**Half load:** Yes

**Delayed Timer (h):** 3-6-9



LP8 810

ENERGY LABEL

The energy label for the TEKA LP8 810 VR01 model includes the following information:

- Brand: TEKA
- Model: LP8 810 VR01
- Energy Efficiency Class: A++ (indicated by a black arrow pointing to the A++ bar on the scale)
- Energy Consumption: 258 kWh/annum
- Water Consumption: 3080 L/annum
- Energy Class: ABCDEFG
- Number of Place Settings: 12
- Noise Level: 49 dB
- Standard Reference: 2010/1059