



**LP8 440** 45cm A++ Free Standing Dishwasher with a capacity for 10 cutlery and 6 washing programs and energy



Eco Function



A Energy Class

**DESCRIPTION**

45cm A++ Free Standing Dishwasher with a capacity for 10 cutlery and 6 washing programs and energy

**LIFE STYLE**

Maestro

**COLOURS**

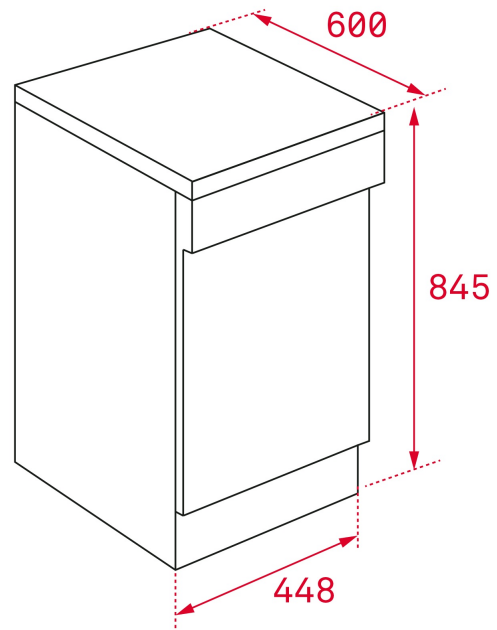


**REFERENCE**

REF. 40782340  
EAN. 8421152119716

**FEATURES**

Free standing dishwasher  
Fingerprint proof stainless steel door  
Electronic control panel  
LED display  
Place Settings : 10  
Washing programs : 6  
Washing temperatures : 40°, 50°,  
55°, 60°, 65°C  
Full Aquastop  
Delay timer 1-24h  
Half load program  
Automatic adjustable upper basket  
Fast program 40 minutes  
Eco program  
Indicator pilots for : On-off, lack of salt,  
rinse aid and program status  
Energy class : A++/A  
Noise level Db( A ): 49  
Power supply : 220/240V -50 Hz



## DIMENSIONS

**Product height (mm):** 845  
**Product width (mm):** 448  
**Product depth (mm):** 600  
**Product length (mm):**  
**Net weight (Kg):** 33

## TECH SPECS

### FITTING MEASURES

**Built-in niche height (cm):** NA

### PRODUCT SHEET

**Capacity (Place Settings):** 10  
**Energy Efficiency Class:** A+  
**Energy consumption (kWh/year):** 211  
**Power consumption (Kwh):** 0,74  
**Water consumption (litres/year):** 2520  
**Water consumption (litres):** 9  
**Washing efficiency:** A  
**Drying efficiency class:** A  
**Standard program:** ECO  
**Standard cycle duration (minutes):** 190  
**Noise level (dB):** 49  
**Certificates:** GS/CE/EMC/Rohs

### POWER SUPPLY

**Frequency (Hz):** 50  
**Power rate (V):** 220-240  
**Power rate (W):** 1760-2100  
**Plug type:** EU

**PARTICULAR  
CHARACTERISITICS**

**Maximum Nominal Power (W):** 2100

**Type of installation:** Free standing

**Control panel:** Electronic

**Control panel display:** Yes

**Number of programs:** 6

**Number Of Washing Temperatures:** 5

**Water softener:** Yes

**Microfilter:** Yes

**SECURITY SYSTEM**

**Internal Leakage Control:** Yes

**Aquastop:** Yes

**CONTROL INDICATOR LIGHTS**

**Low Salt Aid indicator:** Yes

**Low Rinse Aid indicator:** Yes

**Selected program indicator:** Yes

**Remaining time:** Yes

**End of program acoustic alarm:** Yes

**End of program visual alarm:** Yes

**SPECIAL FUNCTIONS**

**Fast program:** Yes

**Fast program (minutes):** 30

**Economic program:** Yes

**Half load:** Yes

**Delayed Timer (h):** 1-24

**EQUIPMENT**

**Adjustable Feet Back:** Yes

**Adjustable feet front:** Yes



LP8 440

ENERGY LABEL

