



LP8 820 A++ Free Standing dishwasher for 12 place settings and 6 washing programs



Eco Function



A Energy Class

DESCRIPTION

A++ Free Standing dishwasher for 12 place settings and 6 washing programs

LIFE STYLE

Total

COLOURS



REFERENCE

REF. 40782360
EAN. 8421152131725

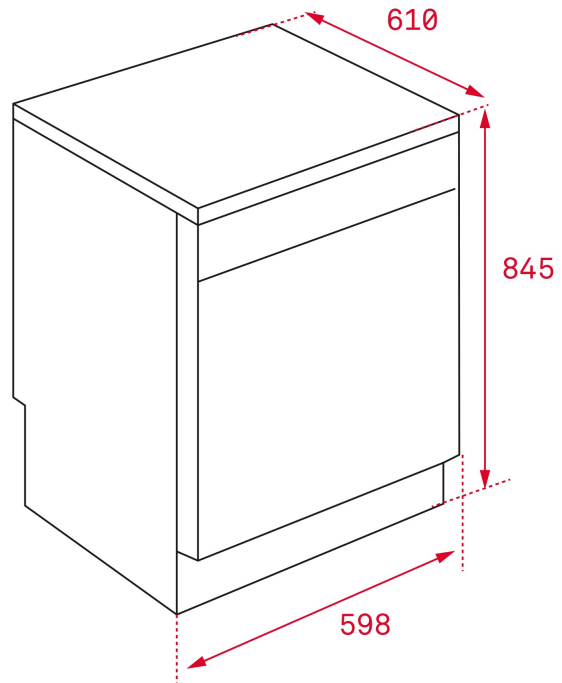


TEKA

LP8 820

FEATURES

Free-standing dishwasher
Electronic control panel with display
Place settings: 12
Washing programs: 6
Washing temperatures: 40°, 45°, 50°, 60°, 65°C
Half load program
Eco Program
AquaStop safety system
Delay timer 1-24 hours
Adjustable upper basket
Energy Class: A++/A
Noise level: 49 dBA



DIMENSIONS

Product height (mm): 845
Product width (mm): 598
Product depth (mm): 610
Product length (mm):
Net weight (Kg): 43,5

TECH SPECS

FITTING MEASURES

Built-in niche height (cm): NA
Maximum door height (mm): 707
Door width (mm): 587

PRODUCT SHEET

Capacity (Place Settings): 12
Energy Efficiency Class: A++
Energy consumption (kWh/year): 258
Power consumption (Kwh): 0,91
Water consumption (litres/year): 3080
Water consumption (litres): 11
Washing efficiency: A
Drying efficiency class: A
Standard program: ECO
Standard cycle duration (minutes): 185
Noise level (dB): 49
Certificates: GS/CE/EMC/Rohs

POWER SUPPLY

Frequency (Hz): 50
Power rate (V): 220-240

**PARTICULAR
CHARACTERISITICS**

Power rate (W): 1760-2100
Plug type: EU
Maximum Nominal Power (W): 2100

Type of installation: Free standing
Control panel: Electronic buttons
Control panel display: Yes
Number of programs: 6
Number Of Washing Temperatures: 5
Water softener: Yes
Microfilter: Yes

SECURITY SYSTEM

Internal Leakage Control: Yes

CONTROL INDICATOR LIGHTS

Low Salt Aid indicator: Yes
Low Rinse Aid indicator: Yes
Selected program indicator: Yes
Remaining time: Yes
End of program acoustic alarm: Yes
End of program visual alarm: Yes

SPECIAL FUNCTIONS

Soak/Prewash program: Yes
Economic program: Yes
Half load: Yes
Delayed Timer (h): 1-24

EQUIPMENT

Adjustable Feet Back: Yes
Adjustable feet front: Yes



LP8 820

ENERGY LABEL

ENERGIA - ENERGIJA - ENERGEIA
ENERGIJA - ENERGY - ENERGEIE
ENERGI

258 kWh/annum

3080 L/annum

ABCDEFG

12

49 dB

2010/1059