

**TEKA**

**LP8 840** 60cm A++ Free Standing Dishwasher with a capacity for 12 cutlery and 8 washing programs



Eco Function



A Energy Class

**DESCRIPTION**

60cm A++ Free Standing Dishwasher with a capacity for 12 cutlery and 8 washing programs

**LIFE STYLE**

Maestro

**COLOURS**

**REFERENCE**

REF. 40782390  
EAN. 8421152119709

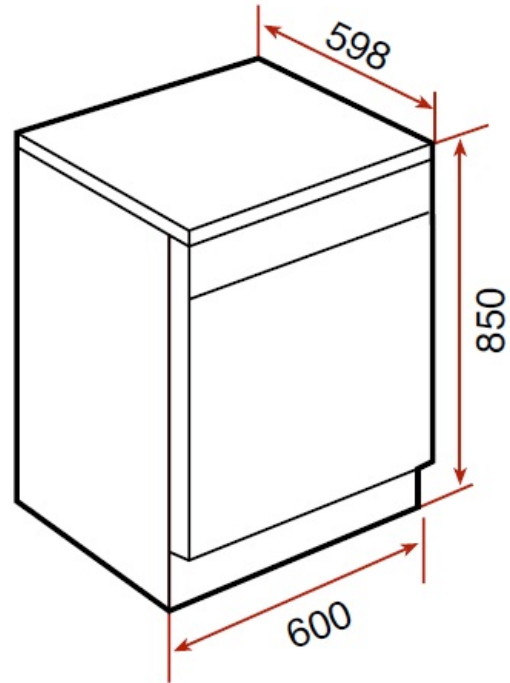


**TEKA**

**LP8 840**

## **FEATURES**

Free standing dishwasher  
Fingerprint proof stainless steel door  
Electronic control panel  
LED display  
Place Settings : 12  
Washing programs : 8  
Washing temperatures : 40°, 45°,  
55°, 65°C  
Full Aquastop  
Delay timer 1-24h  
Half load program  
Automatic adjustable upper basket  
Fast program 30 minutes  
Eco program  
5 positions water softener  
Indicator pilots for : On-off, lack of salt,  
rinse aid and program status/duration  
Energy class : A++/A  
Noise level Db( A ): 49  
Power supply : 220/240V -50 Hz



## DIMENSIONS

**Product height (mm):** 845  
**Product width (mm):** 600  
**Product depth (mm):** 598  
**Product length (mm):**  
**Net weight (Kg):** 43,5

## TECH SPECS

### FITTING MEASURES

**Built-in niche height (cm):** NA

### PRODUCT SHEET

**Capacity (Place Settings):** 12  
**Energy Efficiency Class:** A++  
**Energy consumption (kWh/year):** 258  
**Power consumption (Kwh):** 0,91  
**Water consumption (litres/year):** 3080  
**Water consumption (litres):** 11  
**Washing efficiency:** A  
**Drying efficiency class:** A  
**Standard cycle duration (minutes):** 185  
**Noise level (dB):** 49  
**Certificates:** GS/CE/EMC/Rohs

### POWER SUPPLY

**Frequency (Hz):** 50  
**Power rate (V):** 220-240  
**Power rate (W):** 1760-2100  
**Plug type:** EU  
**Maximum Nominal Power (W):** 2100

**PARTICULAR  
CHARACTERISITICS**

**Type of installation:** Free standing  
**Control panel:** Electronic  
**Control panel display:** Yes  
**Number of programs:** 8  
**Number Of Washing Temperatures:** 5  
**Water softener:** Yes  
**Microfilter:** Yes

**SECURITY SYSTEM**

**Internal Leakage Control:** Yes  
**Aquastop:** Yes

**CONTROL INDICATOR LIGHTS**

**Low Salt Aid indicator:** Yes  
**Low Rinse Aid indicator:** Yes  
**Selected program indicator:** Yes  
**Remaining time:** Yes  
**End of program acoustic alarm:** Yes  
**End of program visual alarm:** Yes

**SPECIAL FUNCTIONS**

**Fast program (minutes):** 30  
**Economic program:** Yes  
**Intense program:** Yes  
**Half load:** Yes  
**Delayed Timer (h):** 1-24

**EQUIPMENT**

**Adjustable Feet Back:** Yes  
**Adjustable feet front:** Yes



LP8 840

ENERGY LABEL

