



EWH 50 Water heater with vertical installation and 50L capacity



Dry Heating Protection



Humidity Control



Overheating Protection

DESCRIPTION

Water heater with vertical installation and 50L capacity

LIFE STYLE

Easy

COLOURS



REFERENCE

REF. 42080050
EAN. 8421152068120



TEKA

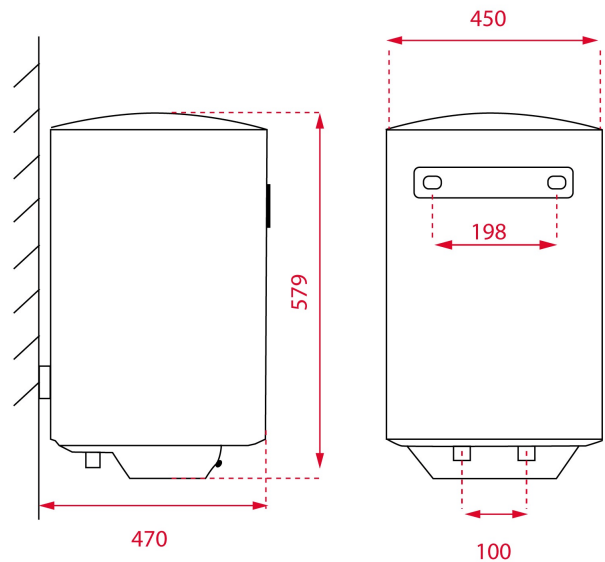
EWH 50

FEATURES

Capacity: 50 litres
Sapphire enamelled tank
Sapphire heating element
Electrolytic muff
Regulation of temperature: 30-75 °C
Pressure valve > 5 bar
Max. Input temperature: 0,75Mpa
Thermometer
Anti Over-pressure protection
Overheat protection
Anti Dry-heating Protection
Waterproof Grade: IPX4
Rated power output 1500 W
Thickness of insulation: 20mm
Water connection: G½
Average number of users : 1-2/2-3/2-4/3-5

DIMENSIONS

Product height (mm): 579
Product width (mm): 450
Product depth (mm): 450
Product length (mm):
Net weight (Kg): 19,15



TECH SPECS

PARTICULAR CHARACTERISTICS

Power rate (V): 220-240
Frequency (Hz): 50
Power rate (W): 1.500
Plug type: EU
Type of installation: Vertical
Certificates: CE;CB
Average number of users: 2-3
Control panel: MECHANICAL
Number of power levels: 1
Maximum input pressure (Mpa): 0,75
Sapphire Enamelled Steel Tank: Yes
Magnesium protection anode: Yes
Heating element indicator lamp: Yes
Thermometer: Yes
Insulation thickness (mm): 20,00
Degree of protection against humidity: IPX4
Protection against heating: Yes
Dry heating protection: Yes

EU REGULATION NO.
812/2013

Declared load profile: M
Water heating energy efficiency class: C
Annual energy consumption AEC kWh/annum (kWh): 1390,00
Sound power level L WA (dB): 15

**EU REGULATION NO.
814/2013**

Storage Volume V L (L): 50



EWH 50

ENERGY LABEL

