



DW8 45 FI 45cm A++ Built-in Dishwasher with a capacity for 10 cutlery and 10 washing programs



Eco Function



A Energy Class

DESCRIPTION

45cm A++ Built-in Dishwasher with a capacity for 10 cutlery and 10 washing programs

LIFE STYLE

Maestro

COLOURS

?

REFERENCE

REF. 40716052
EAN. 8421152113172

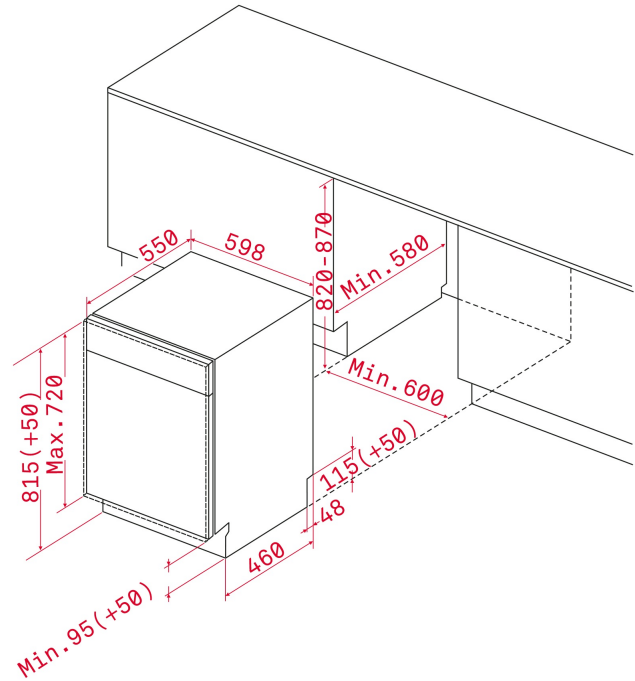


TEKA

DW8 45 FI

FEATURES

Fully integrated dishwasher
Electronic control panel with display
Place Settings : 10
Third sprayer
Washing programs : 10
Washing temperatures : 45°, 55°, 65°, 70° C
Half load program
Fast program 38 minutes
Eco program
Full AquaStop safety system
Delay timer 1-24h
Adjustable upper basket
Back feet adjustment from front
Energy class : A+/A
Noise level Db(A) : 45



DIMENSIONS

Product height (mm): 820-870
Product width (mm): 598
Product depth (mm): 545
Product length (mm):
Net weight (Kg): 33,5

TECH SPECS

FITTING MEASURES

Built-in niche height (cm): 82
Minimum door height (mm): 655
Maximum door height (mm): 655-720
Plinth (mm): 50
Door width (mm): 448

PRODUCT SHEET

Capacity (Place Settings): 10
Energy Efficiency Class: A+
Energy consumption (kWh/year): 236
Power consumption (Kwh): 0,83
Water consumption (litres/year): 2660
Water consumption (litres): 9.5
Washing efficiency: A
Drying efficiency class: A
Noise level (dB): 45
Certificates: GS/CE/EMC/Rohs

POWER SUPPLY

Frequency (Hz): 50
Power rate (V): 230

**PARTICULAR
CHARACTERISITICS**

Power rate (W): 1400
Plug type: EU
Maximum Nominal Power (W): 1400

SECURITY SYSTEM

Type of installation: Built-in
Control panel: Electronic buttons
Control panel display: Yes
Number of programs: 10
Number Of Washing Temperatures: 4
Water softener: Yes
Microfilter: Yes

CONTROL INDICATOR LIGHTS

Internal Leakage Control: Yes
Aquastop: Yes

SPECIAL FUNCTIONS

Low Salt Aid indicator: Yes
Selected program indicator: Yes
End of program acoustic alarm: Yes
End of program visual alarm: Yes

EQUIPMENT

Fast program: Yes
Economic program: Yes
Half load: Yes
Delayed Timer (h): 1-24

Adjustable Feet Back: Yes
Adjustable feet front: Yes
3rd sprayer: Yes
Adjustable back feet from front: Yes

