



ML 8220 BIS L 22L Built-in Microwave with ceramic base



Ceramic base



Defrost By Time



Defrost By Weight



Direct Access Menu



Electronic Door Opening



22L

DESCRIPTION

22L Built-in Microwave with ceramic base

LIFE STYLE

Maestro

COLOURS



REFERENCE

REF. 112030004
EAN. 8434778008340

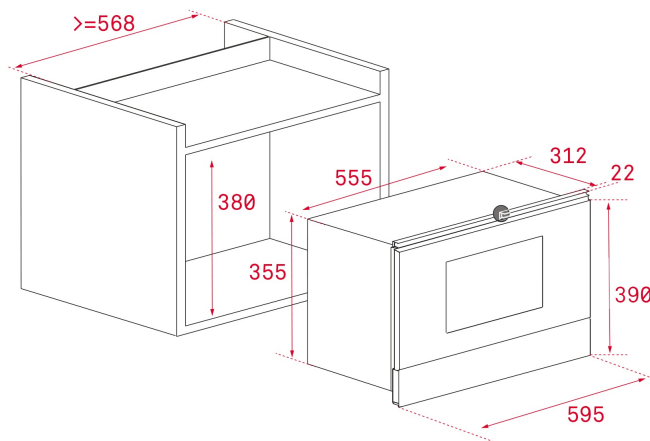


TEKA

ML 8220 BIS L

FEATURES

Urban Colors Edition
Ceramic base microwave + grill
Electronic glass control panel with digital clock
Dropdown grill, 1.200W
5 power levels, 850 W out
Stainless steel cavity
Ceramic base with uniform heating
Forced tangential ventilation
Program selector and electronic functions
Quick start 30''
Defrost (5 programs)
9 direct access menus
Browning plate and reinforced grill grid



DIMENSIONS

Product height (mm): 390

Product width (mm): 595

Product depth (mm): 334

Product length (mm):

Net weight (Kg): 22

TECH SPECS

PARTICULAR CHARACTERISTICS

Certificates: CE/CB/Gmark

Type of inner light: INCANDESCENT

Inside light position: RIGHT

Number of cooking functions: 3

Grill function: Yes

Drop-down grill: Yes

Number of guide levels (lower cavity): 0

Forced refrigeration tangential 1 speed: Yes

Microwave function: Yes

Number of power levels: 5

Minute Quick Start: Yes

Tangential ventilation: Yes

ELECTRIC CONNECTION

Maximum Nominal Power (W): 2500

Power rate (V): 220-240

Cable Connection Length (cm): 110

Plug: Yes

Inside light Consumption (W): 20

ENERGY CONSUMPTION

Grill (W): 1200

Maxi Grill (W): 1200

Cooling Fan Motor (W): 18

SECURITY SYSTEM

Automatic disconnection when opening the door: Yes

Panel blocking system: Yes

Grill protection: Yes

Safety Thermostat: Yes

ACCESSORIES

Crunch plate: YES

