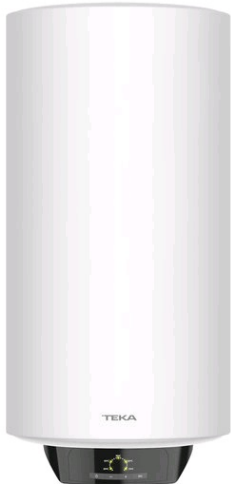




**SMART EWH 50 VE-D** Smart Control water heater with temperature LED indicator and 50L capacity



Dry Heating Protection



Electronic Smart Control



Humidity Control



Overheating Protection

**DESCRIPTION**

Smart Control water heater with temperature LED indicator and 50L capacity

**LIFE STYLE**

Total

**COLOURS**



**REFERENCE**

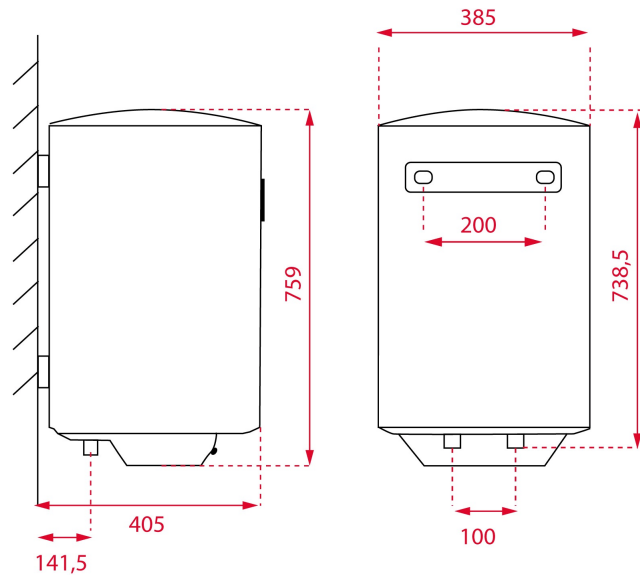
REF. 42080320  
EAN. 8421152149232

**FEATURES**

Vertical installation  
SMART CONTROL  
Capacity: 50 litros  
Sapphire enamelled tank  
LED temperature indicator  
Regulation of temperature: 30°-75°  
Pressure valve > 7,5 bar  
Max. Input temperatura: 0,75 Mpa  
Anti Over-pressure protection  
Overheat protection  
Anti Dry-heating Protection  
Waterproof Grade: IPX4  
Rated power output : 1.500 W  
Thickness of insolation: 20 mm  
Water connection: G ½  
Average number of users: 2-3 personas  
Energy class B

## DIMENSIONS

**Product height (mm):** 759  
**Product width (mm):** 385  
**Product depth (mm):** 385  
**Product length (mm):**  
**Net weight (Kg):** 16,85



## TECH SPECS

### PARTICULAR CHARACTERISTICS

**Power rate (V):** 220-240  
**Frequency (Hz):** 50/60  
**Power rate (W):** 1.500  
**Plug type:** EU  
**Type of installation:** Vertical  
**Certificates:** CE  
**Average number of users:** 2-3  
**Control panel:** ELECTRONIC  
**Number of power levels:** 1  
**Maximum input pressure (Mpa):** 0,75  
**Sapphire Enamelled Steel Tank:** Yes  
**Magnesium protection anode:** Yes  
**Heating element indicator lamp:** Yes  
**Insulation thickness (mm):** 20,00  
**Degree of protection against humidity:** IPX4  
**Protection against heating:** Yes  
**Dry heating protection:** Yes

**EU REGULATION NO.**  
**812/2013**

**Declared load profile:** M  
**Water heating energy efficiency class:** B  
**Annual energy consumption AEC kWh/annum (kWh):** 1232,00  
**Sound power level L WA (dB):** 15





SMART EWH 50 VE-D

ENERGY LABEL

