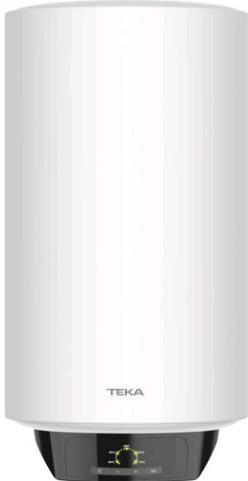




SMART EWH 30 VE-D Smart Control water heater with temperature LED indicator and 30L capacity



Dry Heating Protection



Electronic Smart Control



Humidity Control



Overheating Protection



Slim heater

DESCRIPTION

Smart Control water heater with temperature LED indicator and 30L capacity

LIFE STYLE

Total

COLOURS



REFERENCE

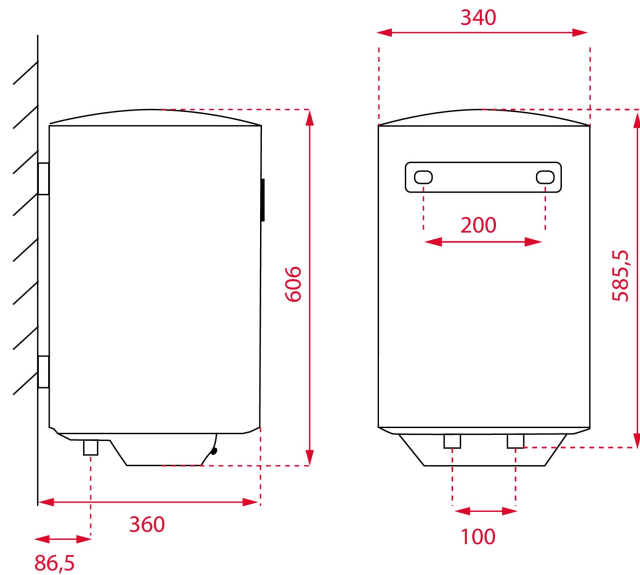
REF. 42080310
EAN. 8421152149225

FEATURES

Vertical installation
SMART CONTROL
Capacity: 30 litros
Sapphire enamelled tank
LED temperature indicator
Regulation of temperature: 30^o-75^o
Pressure valve > 7,5 bar
Max. Input temperatura: 0,75 Mpa
Anti Over-pressure protection
Overheat protection
Anti Dry-heating Protection
Waterproof Grade: IPX4
Rated power output : 1.500 W
Thickness of insolation: 20 mm
Water connection: G ½
Average number of users: 1-2 personas
Energy class A

DIMENSIONS

Product height (mm): 606
Product width (mm): 340
Product depth (mm): 340
Product length (mm):
Net weight (Kg): 13,6



TECH SPECS

PARTICULAR CHARACTERISTICS

Power rate (V): 220-240
Frequency (Hz): 50/60
Power rate (W): 1.500
Plug type: EU
Type of installation: Vertical
Certificates: CE
Average number of users: 1-2
Control panel: ELECTRONIC
Number of power levels: 1
Maximum input pressure (Mpa): 0,75
Sapphire Enamelled Steel Tank: Yes
Magnesium protection anode: Yes
Heating element indicator lamp: Yes
Insulation thickness (mm): 20,00
Degree of protection against humidity: IPX4
Protection against heating: Yes
Dry heating protection: Yes

EU REGULATION NO.
812/2013

Declared load profile: S
Water heating energy efficiency class: A
Annual energy consumption AEC kWh/annum (kWh): 485,00
Sound power level L WA (dB): 15



SMART EWH 30 VE-D

ENERGY LABEL

