



**TKI4 325 DD** Built-in No Frost Refrigerator in 177cm with 2 doors and Electronic control panel



Motor Inverter



Easy 90



Fresh Box



LED



Zero Box

**DESCRIPTION**

Built-in No Frost Refrigerator in 177cm with 2 doors and Electronic control panel

**LIFE STYLE**

Total

**COLOURS**



**REFERENCE**

REF. 40693171  
EAN. 8421152156452



**TEKA**

**TKI4 325 DD**

**FEATURES**

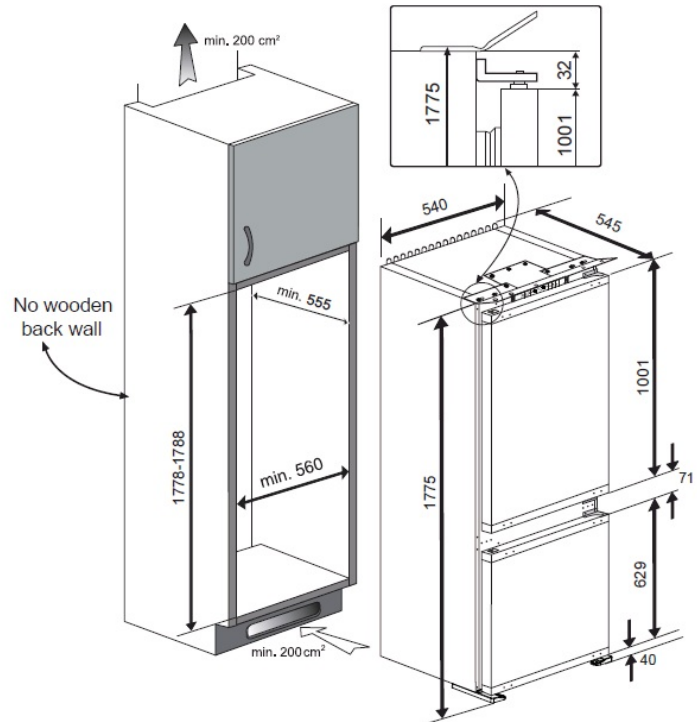
Built-in Combi  
Electronic control panel  
Automatic defrost  
No Frost in the freezer  
Fast cooling function  
BIO chamber (0-3 ° C)  
Door alarm  
Antibacterial coating  
Adjustable glass shelves  
Reversible door  
Adjustable feet  
Door on door installation system  
Total capacity (gross / net): 275 litres / 255 litres  
(net: fridge - 186 litres, freezer 69 litres)



TKI4 325 DD

## DIMENSIONS

**Product height (mm):** 1775  
**Product width (mm):** 540  
**Product depth (mm):** 545  
**Product length (mm):**  
**Net weight (Kg):** 57,5



## TECH SPECS

### FITTING MEASURES

**Built-in niche (cm):** 178

### PRODUCT SHEET

**Cooling system:** Defrost / No Frost  
**No Frost in freezer compartment:** Yes  
**Total gross capacity (litres):** 275  
**Refrigerator compartment capacity (litres):** 186  
**Chilling Compartment Capacity (litres):** 19  
**Freezer compartment capacity (litres):** 69  
**Freezer classification:** 4  
**Freezing capacity:** 4  
**Annual Consumption (kWh/year):** 240  
**Temperature Rise Time (h):** 13  
**Climate class:** SN/ST  
**Noise level (dB):** 40

### POWER SUPPLY

**Frequency (Hz):** 50  
**Power rate (V):** 220-240  
**Power rate (W):** 125

## PARTICULAR CHARACTERISTICS

**Defrost element power (W):** 120  
**Energy consumption (kw/day):** 0,657  
**Plug type:** European  
**Cable Connection Length (cm):** 190

**Type of installation:** Built-in  
**Automatic defrosting in the refrigeration compartment:** Yes  
**Automatic defrosting in the freezer compartment:** Yes  
**Electronic control:** Yes  
**Control panel:** Electronic  
**Electronic adjustable thermostat:** Yes  
**Antibacterial treatment:** NO  
**Freezing set button:** Yes  
**Fast freezing:** Yes  
**Inner light:** Yes  
**Type of inner light:** LED on Ceiling  
**Reversible doors:** Yes

## CONTROL INDICATOR LIGHTS

**Fast freezing indicator:** Yes  
**Acoustic alarm:** Yes

## EQUIPMENT

**Chromed bottle rack:** 4  
**Antibacterial gasket:** Yes  
**Multipurpose compartment:** NO  
**Ice cubes tray:** 1  
**Bottle rack type:** CHROMED  
**Adjustable feet front:** Yes  
**Roller (rear):** Yes  
**Number of shelves:** 3  
**Refrigerator adjustable shelves:** Yes  
**Vegetable drawers:** 1  
**Temperature and humidity regulation in drawers:** FRESH BOX

## PRODUCT INFORMATION SHEET (UE) 2019/2016

**Supplier name or trademark:** TEKA  
**Supplier's address:** C/Cajo, 17, 39011, Santander , Spain  
**Model identifier:** TKI4 325 DD

### Type of refrigerating appliance

**Design type:** NA

### Overall dimensions (mm)

**Height:** 1775

**Width:** 540

**Depth:** 545

**Total volume (dm<sup>3</sup> or l):** NA

**Airborne acoustical noise emissions (dB(A) re 1 pW):** NA

**Airborne acoustical noise emission class:** NA

**Annual energy consumption (kWh/a):** NA

**Climate class:** SN/ST

**Minimum ambient temperature (°C), for which the refrigerating appliance is suitable:** NA

**Maximum ambient temperature (°C), for which the refrigerating appliance is suitable:** NA

### Light source parameters

**Light source - Type of light source:** NA

**Light source - Energy efficiency class:** NA

### Light source parameters

**Light source - Type of light source:** NA

**Light source - Energy efficiency class:** NA

**Additional information:**

Weblink to the manufacturer's website, where the information in point 4(a) Annex of Commission Regulation (EU) 2019/2019 (1) (b) is found: (a) as determined in accordance with Commission Delegated Regulation (EU) 2019/2015 (2).

(b) changes to these items shall not be considered relevant for the purposes of point 4 of Article 4 of Regulation (EU) 2017/1369.

(c) if the product database automatically generates the definitive content of this cell the supplier shall not enter these data.

(1) Commission Regulation (EU) 2019/2019 of 1 October 2019 laying down ecodesign requirements for refrigerating appliances pursuant to Directive 2009/125/EC of the European Parliament and of the Council and repealing Commission Regulation (EC) No 643/2009 (see page 187 of this Official Journal).(2)

(2) Commission Delegated Regulation (EU) 2019/2015 of 11 March 2019 supplementing Regulation (EU) 2017/1369 of the European Parliament and of the Council with regard to energy labelling of light sources and repealing Commission Delegated Regulation (EU) No 874/2012 (see page 68 of this Official Journal).



TKI4 325 DD

ENERGY LABEL

