



**CNL 6610** 60cm Pull-out Hood with Finger Print Proof front panel and 2+1 speeds



LED



Stop Delay  
Timer

**DESCRIPTION**

60cm Pull-out Hood with Finger Print Proof front panel and 2+1 speeds

**LIFE STYLE**

Total

**COLOURS**

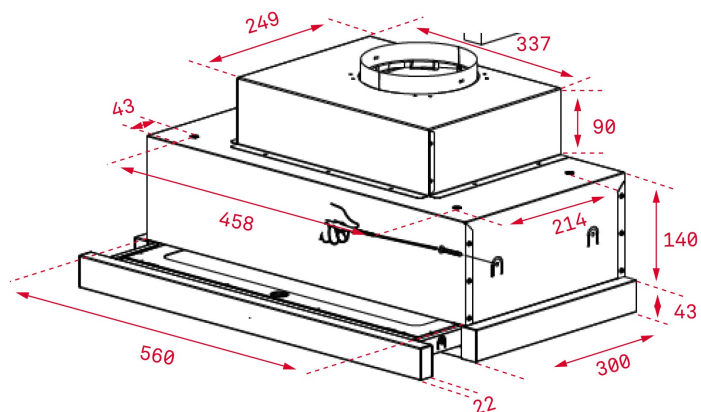


**REFERENCE**

REF. 40436830  
EAN. 8421152146231

**FEATURES**

Pull-out hood  
Electronic control  
2 speeds + 1 intensive  
Free Outlet exhaust capacity (m<sup>3</sup>/h): 745  
Intensive speed exhaust capacity (m<sup>3</sup>/h): 694  
Max speed exhaust capacity (m<sup>3</sup>/h): 445  
Min speed exhaust capacity (m<sup>3</sup>/h): 330  
Intensive speed sound level (dBA): 70  
Max speed sound level (dBA): 63  
Min speed sound level (dBA): 60  
2 LED lamps  
2 aluminium filter  
Stop delay timer  
Fingerprint proof front panel  
Exchangeable Front Panel  
Anti-return valve included  
Outlet reduction included  
Optional Charcoal Filter: D4C



## DIMENSIONS

**Product height (mm):** 274

**Product width (mm):** 600

**Product depth (mm):** 300/490

**Product length (mm):**

**Net weight (Kg):** 8,33

## TECH SPECS

### PARTICULAR CHARACTERISTICS

**Certificates:** CE; CB; Rohs

**Ø Outlet (mm):** 150

**Type of inner light:** LED

**Inside light Consumption (W):** 1,5

**Plug type:** European plug

**Power rate (V):** 230

**Frequency (Hz):** 50

**Total hood power (W):** 233

**Number of motors:** 1

**Motor power (W):** 230

**EU REGULATION NO. 65/2014  
&66/2104**

**Annual energy consumption AEC kWh/annum (kWh):** 105,9

**Energy Efficiency Class:** C

**Fluid Dynamic Efficiency (FDEhood):** 17,2

**Fluid Dynamic Efficiency class:** D

**Light Efficiency (Lehood) lux/Watt:** 42,7

**Lighting Efficiency class:** A

**Grease Filtering Efficiency class:** D

**Air flow (Qmin) m<sup>3</sup>/h:** 330

**Air flow (Qmax):** 445

**Air flow (Qboost):** 694  
**Noise (LwA) min. speed (dB):** 60  
**Noise (LwA) max. speed (dB):** 63  
**Noise (LwA) boost speed (dB):** 70  
**Energy Efficiency Index (EEI):** 82,4  
**Time increase factor:** 1,4  
**Air pressure at best efficiency point(Pbep) Pa:** 290  
**Electric power input at best efficiency point (Wbep) W:** 203,0  
**Nominal power of the lighting system (WL) W:** 3  
**Average illumination of the lighting system on the cooking surface (Emiddle) Lux:** 128

## ACCESSORIES

**Anti Return valve:** Yes  
**Outlet reduction:** Yes  
**Optional Charcoal Filter:** D4C  
**Charcoal filter description:** CHARCOAL FILTER D4C  
**Conventional recirculation kit (opt) - w/tube cover:** No  
**Conventional recirculation kit - w/tube cover - Description:** No

## MODELS

**Number of filters:** 2  
**Filter description:** Aluminum  
**Control panel:** Electronic  
**Stop delay timer:** Yes  
**Automatic lighting:** Yes  
**Number of speeds:** 2+1  
**Fingerprint proof front panel:** Yes

## PRODUCT INFORMATION SHEET - DELEGATED REGULATION (EU) 65/2014

**Supplier name or trademark:** TEKA  
**Model identifier:** CNL 6610  
**Annual Energy Consumption:** 105,9  
**Energy Efficiency Class:** C  
**Fluid Dynamic Efficiency:** 17,2  
**Fluid Dynamic Efficiency class:** D  
**Lighting Efficiency:** 42,7  
**Lighting Efficiency class:** A  
**Grease Filtering Efficiency class:** D  
**Air flow (min speed normal use):** 330  
**Air flow (max speed normal use):** 445  
**Air flow (intensive or boost use):** 694  
**Airborne acoustical A-weighted sound power emissions (min speed normal use):** 60  
**Airborne acoustical A-weighted sound power emissions (intensive or boost use):** 70  
**Power consumption in off mode (W):** n.a  
**Power consumption in standby mode (W):** n.a



CNL 6610

ENERGY LABEL

