



HLB 840 A+ Multifunction Oven with HydroClean® PRO cleaning system



70L



Plus Extension
Telescopic
Guide



HydroClean



SurroundTemp

DESCRIPTION

A+ Multifunction Oven with HydroClean® PRO cleaning system

LIFE STYLE

Maestro

COLOURS



REFERENCE

REF. 41560071
EAN. 8421152148501

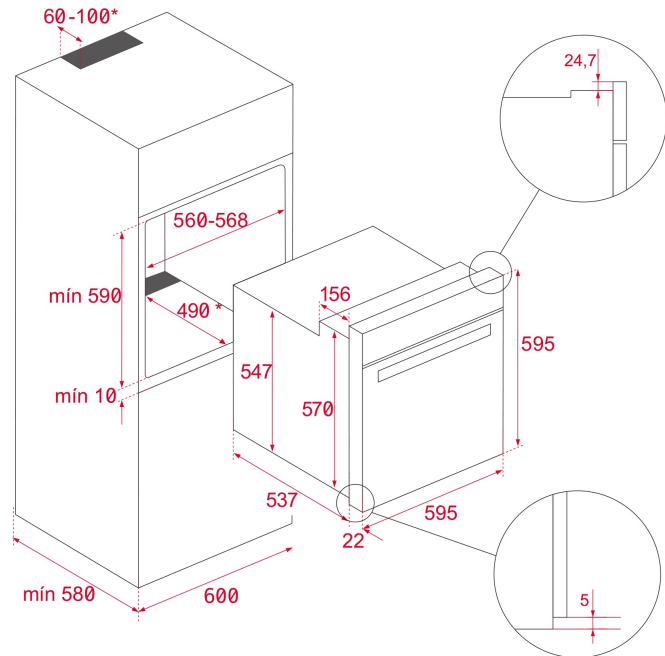


TEKA

HLB 840

FEATURES

Multifunction SurroundTemp oven
9 cooking functions
Automatic HydroClean system
Touch control display with knobs
Electronic timer (Delay/Start function)
Chrome supports with 5 cooking levels
Plus Extension Telescopic guides
Removable double glazed door
Children safety lock
Manual quick preheating
Anti-tip deep tray, baking tray and reinforced grid
Capacity (gross/net): 71 / 70 litres



DIMENSIONS

Product height (mm): 595
Product width (mm): 595
Product depth (mm): 537+22
Product length (mm):
Net weight (Kg): 28

TECH SPECS

PARTICULAR CHARACTERISTICS

Certificates: N / CE / CCA / CB/GMARK
Number of cavities: 1
Type of inner light: Halogen
Inside light position: RIGHT TOP CORNER
Enamelled cavity: Yes
Min. Temperature Regulator (°C): 50
Max. Temperature Regulator (°C): 250
Function selector: 11+0
Number of cooking functions: 9
Top + Bottom function: Yes
Grill function: Yes
MaxiGrill function: Yes
MaxiGrill + Fan function: Yes
Bottom function: Yes
Bottom + TURBO (Pizza) function: Yes
Turbo function: Yes
ECO function: Yes
Mechanical quick heating: Yes
Touch Control Programmer: Yes
Knobs type: MMX FIX knurling printed
Removable chromed tray guides: Yes
Number of guide levels: 5

Easy slide telescopic guides: Yes

Drop-down grill: Yes

ELECTRIC CONNECTION

Maximum Nominal Power (W): 3215

Frequency (Hz): 50/60

Power rate (V): 220-240

Cable Connection Length (cm): 110

Inside light Consumption (W): 25

ENERGY CONSUMPTION

Energy consumption per cycle in conventional mode (kWh):
0.81

Energy consumption per cycle in fan-forced convection mode (kWh): 0,68

Bottom Heating Element (W): 1150

Grill (W): 1400

Maxi Grill (W): 2500

Traditional (W): 2550

Turbo (W): 2000

Multifunction Turbo (W): 22

Cooling Fan Motor (W): 18

SECURITY SYSTEM

Panel blocking system: Yes

Grill protection: Yes

Anti-tip tray system: Yes

Safety Thermostat: Yes

CLEANING SYSTEM

Crystal Clean Enamel (Slippery): Yes

Hydroclean PRO: Yes

ACCESSORIES

Deep Tray (50 mm): 1

Reinforced grid: 1

ENERGY EFFICIENCY

Energy Efficiency Class: A+

Energy Efficiency Index (EEI): 81



HLB 840

ENERGY LABEL

The energy label for the TEKA HLB 840 washing machine is a vertical rectangular sticker with a blue border. At the top left is the European Union flag. To its right is the word "ENERG" in large blue letters, with "енергия · ενεργεια" in smaller text below it. Further right are two circular icons: one with "Y IJA" and another with "IE IA". Below this header is the TEKA logo and the model number "HLB 840". The central part of the label features a vertical energy scale from A+++ (dark green) to D (dark red). A black arrow points to the A+ level. To the left of the scale is a small icon of a washing machine. Below the scale are two boxes: the first shows a washing machine icon and "70 L"; the second shows a washing machine icon and "0.68 kWh/cycle*". At the bottom, there is a small line of text in multiple languages and the date "65/2014".