

TEKA**HLC 847 S BK-SS**

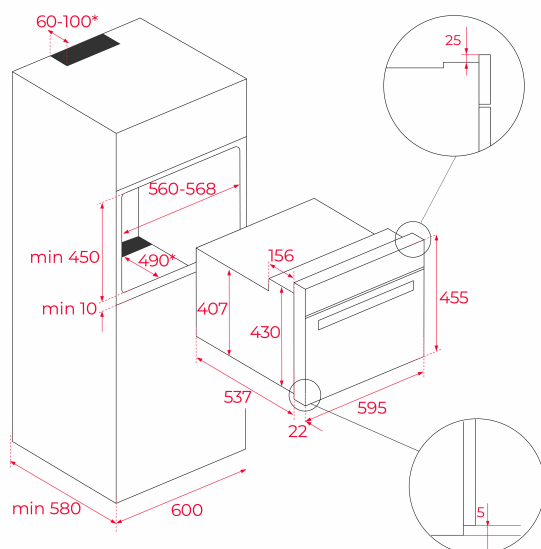
Full Steam compact oven with 20 recipes and HydroClean system



48L



SoftClose

**REFERENCE**

REF: 111230000

EAN: 8434778003352

FEATURES

Multifunction SurroundTemp oven + Steamer

Temperature range 30-100 °C

1 litre water tank

Touch control display with knobs

Electronic timer (Delay/Start function)

Sterilization and regeneration function

Chrome supports with 5 cooking levels

Removable triple glazed door

SoftClose system

Automatic disconnection security system

Children safety lock

Anti-tip deep tray, anti-tip gastronorm tray and reinforced grid

Capacity (gross/net): 48 / 49 litres

DIMENSIONS**Product height (mm):** 455**Product width (mm):** 595**Product depth (mm):** 559**Product length (mm):****Net weight (Kg):** 26,5**TECHNICAL DETAILS**

Energy Efficiency Class: -

Power rate (V): 220-240

Frequency (Hz): 50/60

Maximum Nominal Power (W): 3000

COLOURS

111230000

Black glass with frame