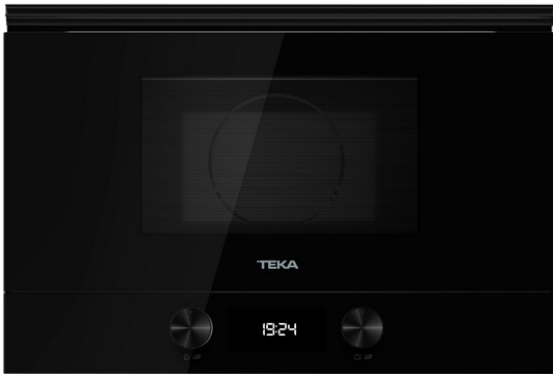


**TEKA****ML 8220 BIS L FBK**

FullBlack Edition. Built-in microwave with ceramic base and grill function



Defrost By Time



Defrost By Weight



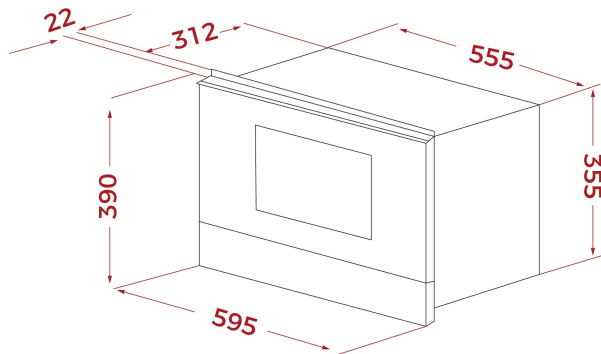
Direct Access Menu



Electronic Door Opening



22L

**REFERENCE**

REF: 112030017

EAN: 8434778030075

**FEATURES**

Built-in Microwave + Grill  
 Exclusive black glass + dark inox finishing  
 Ceramic base with uniform heating  
 3 cooking functions  
 9 direct access menus  
 5 power levels, 2700 W  
 Grill power: 1200 W  
 Defrost by time and weight  
 Touch control display with knobs  
 Double glazed door with left opening  
 Electronic door opening  
 Automatic disconnection when open door  
 LED inner light  
 Dropdown grill  
 Quick start  
 Stainless steel cavity  
 Crunch plate included  
 Tangential ventilation  
 Capacity (gross/net): 22 / 21,56 litres

**DIMENSIONS****Product height (mm):** 390**Product width (mm):** 595**Product depth (mm):** 334**Product length (mm):** 555**Net weight (Kg):** 23,2**TECHNICAL DETAILS**

MWO Power (W): 850

Frequency (Hz): 50

Maximum Nominal Power (W): 2700

Grill (W): 1200

**COLOURS**

112030017

Black glass