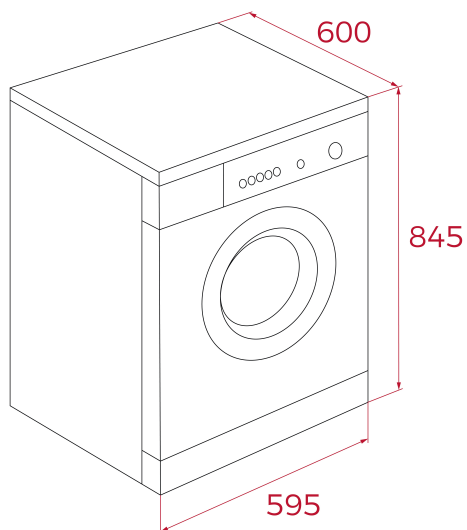


TEKA

SHK 70840 SS

8kg Condensate Heat Pump Dryer with 14 programs



REFERENCE

REF: 114060009

EAN: 8434778033045

FEATURES

- Free standing dryer
- Condensed heat pump drying technology
- Electronic control panel with display
- Drying capacity: 8 kg
- Drying programs: 14
- ECO mode program
- Wool care program
- Easy iron program
- Refresh program
- Delay timer function
- Delicate program
- Drying level function
- SoftCare drum
- Child lock

DIMENSIONS

Product height (mm): 845

Product width (mm): 595

Product depth (mm): 600

Product length (mm):

Net weight (Kg): 41

TECHNICAL DETAILS

Energy Efficiency Class: A++

Energy Consumption (Kw/day): -

Drying Efficiency Class: B

Noise level drying (dB): 65

Power rate (V): 220-240

Frequency (Hz): 50Hz

COLOURS



114060009

Stainless steel