

**TEKA****NEO MS 6220 BIS L FBK**

Built-in Microwave + grill, 3 cooking functions and 2 autocooking menus

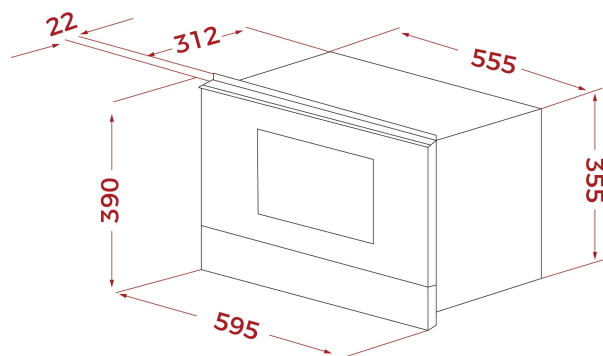
**REFERENCE**

REF: 112040011

EAN: 8434778035568

Defrost By  
TimeDefrost By  
WeightDirect  
Access  
MenuElectronic  
Door  
Opening

22L

**FEATURES**

Neo Series

Built-in Microwave + grill

Ceramic base with uniform heating

3 cooking functions

2 autocooking menus

5 power levels, 850 W

Grill power: 1200 W

Defrosting by time and weight

Mechanical control with knobs and minute minder

0-90 min. Timer

Double glazed door with left opening

Electronic door opening

Automatic disconnection when open door

LED inner light

Stainless steel fingerprint proof

Dropdown grill

Quick start

Stainless steel cavity

Grid with feet

Tangential ventilation

Capacity (gross/net): 22 / 21,56 litres

**DIMENSIONS****Product height (mm):** 390**Product width (mm):** 595**Product depth (mm):** 334**Product length (mm):****Net weight (Kg):** 23,2**TECHNICAL DETAILS**

MWO Power (W): 850

Frequency (Hz): 50

Maximum Nominal Power (W): 2700

Grill (W): 1200

**COLOURS**

112040011

Black