



# HSC 635 P 45cm A+ Pyrolytic Compact Multifunction Oven



44L



A Energy Class



DualClean



Plus Extension  
Telescopic  
Guide



HydroClean



Pyrolysis

## DESCRIPTION

45cm A+ Pyrolytic Compact Multifunction Oven

## LIFE STYLE

Total

## COLOURS



## REFERENCE

REF. 41534030  
EAN. 8421152148693

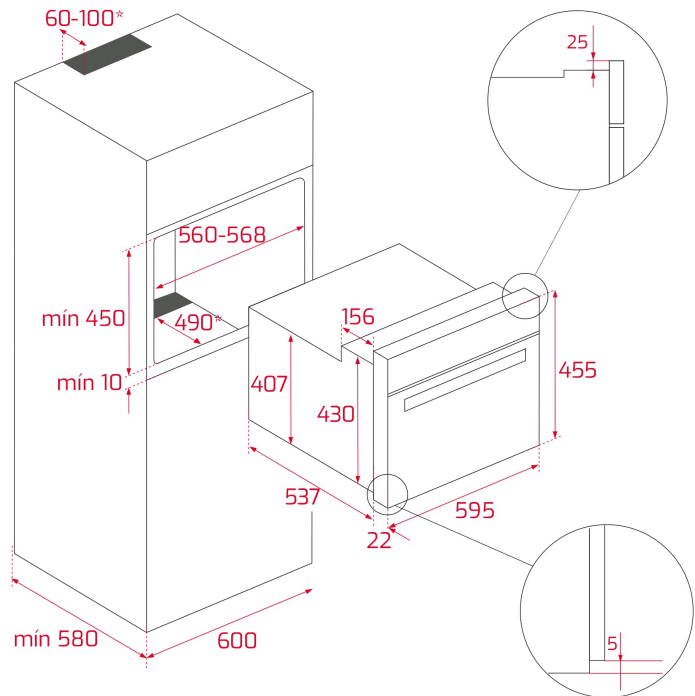


TEKA

HSC 635 P

## FEATURES

Pyrolytic Multifunction  
DualClean cleaning system:Pyrolytic sefl-cleaning (3 levels)  
+HydroClean® PRO  
A+ Energy class: up to 20% less consumption  
Esmalte Slippery  
Capacity: 45/44 litres (gross/net)  
Touch Control panel with LED display  
8 cooking functions  
Express preheating function  
ECO and defrosting functions  
Children safety block  
Double removable glazed door  
Full glass inner door  
Drop down maxi grill  
Plus Extension telescopic guide easy slide  
Anti-tip deep tray and reinforced grid  
Tangential ventilation Plus with 2 speeds



## DIMENSIONS

Product height (mm): 455

Product width (mm): 595

Product depth (mm): 537+22

Product length (mm):

Net weight (Kg): 28

## TECH SPECS

### PARTICULAR CHARACTERISTICS

**Certificates:** N / CE / CCA / CB

**Number of cavities:** 1

**Type of inner light:** Halogen

**Inside light position:** Right top corner

**Enamelled cavity:** Yes

**Function selector:** 11+0

**Number of cooking functions:** 8

**Top function:** Yes

**Grill function:** Yes

**MaxiGrill function:** Yes

**Bottom function:** Yes

**ECO function:** Yes

**Mechanical quick heating:** Yes

**Touch Control Programmer:** Yes

**Knobs type:** MMX FIX KNOB knurling

**Removable chromed tray guides:** Yes

**Number of guide levels:** 3

**Easy slide telescopic guides:** Yes

**Number of guide levels (lower cavity):** 0

## ELECTRIC CONNECTION

**Maximum Nominal Power (W):** 2515

**Frequency (Hz):** 50/60

**Power rate (V):** 220-240

**Cable Connection Length (cm):** 110

**Inside light Consumption (W):** 25

## **ENERGY CONSUMPTION**

**Energy consumption per cycle in conventional mode (kWh):**  
0.77

**Energy consumption per cycle in fan-forced convection mode (kWh):** 0,59

**Bottom Heating Element (W):** 1050

**Grill (W):** 1400

**Maxi Grill (W):** 2450

**Traditional (W):** 1050

**Multifunction Turbo (W):** 22

**Cooling Fan Motor (W):** 30

## **SECURITY SYSTEM**

**Automatic disconnection when opening the door:** Yes

**Panel blocking system:** Yes

**Children safety block option:** Yes

**Grill protection:** Yes

**Anti-tip tray system:** Yes

**Safety Thermostat:** Yes

**Full glazed doors:** 3

## **CLEANING SYSTEM**

**Fingerprint proof stainless steel:** Yes

**Crystal Clean Enamel (Slippery):** Yes

**Hydroclean PRO:** Yes

**Pyrolytic:** Yes

**DualClean:** Yes

## **ACCESSORIES**

**Deep Tray (50 mm):** Yes

**Standard grid:** Yes

## **ENERGY EFFICIENCY**

**Energy Efficiency Class:** A+

**Energy Efficiency Index (EEI):** 80,8



HSC 635 P

ENERGY LABEL

The energy label for the TEKA HSC 635 P dishwasher features the following information:

- Top Header:** Includes the European Union flag, the word "ENERG" in large letters, and its translations in Ukrainian (енергія) and Russian (энергия). It also contains the energy efficiency classes Y, UA, IE, and IA.
- Brand and Model:** The TEKA logo and the model number "HSC 635 P" are prominently displayed.
- Energy Efficiency Scale:** A vertical scale of seven colored bars represents energy efficiency classes from A+++ (dark green) at the top to D (red) at the bottom. A black arrow points to the A+ class.
- Capacity:** A 44 L icon is shown in a box.
- Energy Consumption:** Two boxes show consumption values: 0.77 kWh/cycle\* for the standard cycle and 0.59 kWh/cycle\* for the eco cycle.
- Footnote:** A small text block at the bottom provides translations for "cycle" in various languages: Ukrainian (цикл), Russian (циклус), Czech (okruženie), Slovak (okruženie), Polish (cykl), and others.
- Regulation Reference:** The number 65/2014 is printed at the very bottom.