



# HLB 860 P A+ Pyrolytic Oven with 20 recipes



70L



DualClean



Full Extension  
Telescopic  
Guide



HydroClean



Pyrolysis



SoftClose



SurroundTemp

**DESCRIPTION**

A+ Pyrolytic Oven with 20 recipes

**LIFE STYLE**

Maestro

**COLOURS**

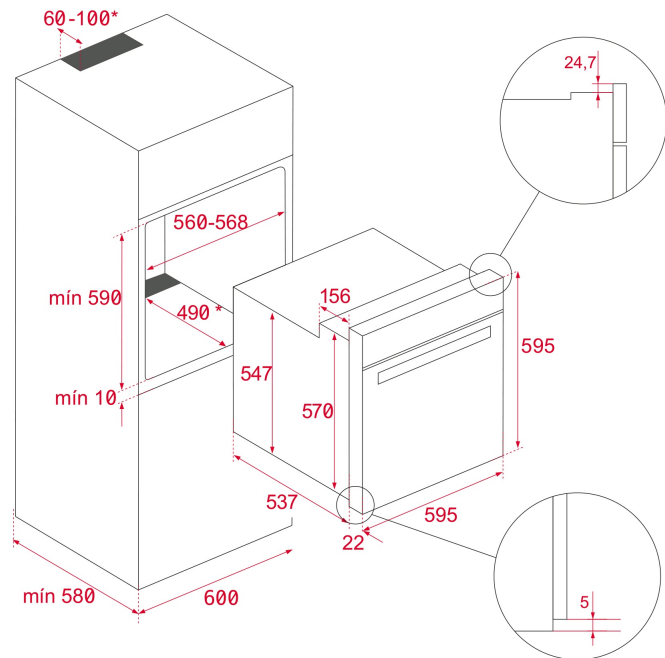


**REFERENCE**

REF. 41566020  
EAN. 8421152148822

**FEATURES**

Multifunction SurroundTemp  
12 Cooking functions  
Pyrolysis self-cleaning system & automatic HydroClean system  
Touch control display  
Digital Timer  
Personal cooking assistant: 20 programmed international recipes  
Chrome supports with 5 cooking levels  
1 Plus Extension telescopic guide and 1 Full Extension telescopic guide  
Quadruple glazed door  
SoftClose system  
Automatic disconnection security system  
Children safety lock  
Automatic quick preheating  
Anti-tip deep tray and reinforced grid  
Tangential ventilation Plus with 2 speeds  
Gross/net capacity: 71/70 litres



## DIMENSIONS

**Product height (mm):** 595

**Product width (mm):** 595

**Product depth (mm):** 537+22

**Product length (mm):**

**Net weight (Kg):** 37

## TECH SPECS

### PARTICULAR CHARACTERISTICS

**Certificates:** N / CE / CCA / CB

**Number of cavities:** 1

**Type of inner light:** Halogen

**Inside light position:** RIGHT TOP CORNER

**Enamelled cavity:** Yes

**Function selector:** ELECTRONIC

**Number of cooking functions:** 12

**Number of recipes:** 20

**Grill function:** Yes

**MaxiGrill function:** Yes

**Bottom function:** Yes

**Turbo function:** Yes

**ECO function:** Yes

**Ferment function:** Yes

**Automatic quick heating:** Yes

**Slow Cook:** Yes

**Knobs type:** MMX FIX ROTATIVE

**Ring illuminated:** Yes

**Removable chromed tray guides:** Yes

**Number of guide levels:** 5

**Full extension telescopic guides:** Yes

**Easy slide telescopic guides:** Yes

**SoftClose:** Yes

## **ELECTRIC CONNECTION**

**Maximum Nominal Power (W):** 3552

**Frequency (Hz):** 50/60

**Power rate (V):** 220-240

**Cable Connection Length (cm):** 150

**Plug:** Yes

**Inside light Consumption (W):** 25

## **ENERGY CONSUMPTION**

**Energy consumption per cycle in conventional mode (kWh):**  
0.87

**Energy consumption per cycle in fan-forced convection mode (kWh):** 0,68

**Bottom Heating Element (W):** 1050

**Bottom Heating Element (W) (lower cavity):** 1050

**Grill (W):** 1400

**Maxi Grill (W):** 2450

**Traditional (W):** 2450

**Turbo (W):** 2000

**Multifunction Turbo (W):** 25

**Cooling Fan Motor (W):** 30

## **SECURITY SYSTEM**

**Automatic disconnection when opening the door:** Yes

**Panel blocking system:** Yes

**Children safety block option:** Yes

**Grill protection:** Yes

**Anti-tip tray system:** Yes

**Safety Thermostat:** Yes

## **CLEANING SYSTEM**

**Crystal Clean Enamel (Slippery):** Yes

**Hydroclean PRO:** Yes

**Pyrolytic:** Yes

**DualClean:** Yes

## **ACCESSORIES**

**Deep Tray (50 mm):** 1

**Steak tray:** 0

**Reinforced grid:** 1

## **ENERGY EFFICIENCY**

**Energy Efficiency Class:** A+

**Energy Efficiency Index (EEI):** 81

## **PRODUCT INFORMATION SHEET - DELEGATED REGULATION (EU) 65/2014**

**Supplier name or trademark:** TEKA

**Model identifier:** HLB 860 P

**Number of cavities:** 1

**Cavity 1**

**Energy Efficiency Index:** 81

**Energy Efficiency Class:** A+

**Energy consumption per cycle (conventional mode):** 0.87

**Energy consumption per cycle (fan-forced convection mode):**  
0,68

**Heat source :** Electric

**Volume:** 71



HLB 860 P

ENERGY LABEL

The energy label for the TEKA HLB 860 P dishwasher features the following information:

- Header:** Includes the European Union flag, the word "ENERG" in large letters, and "енергия · енерґія" in smaller text below it. To the right are two circular icons: one with "Y IJA" and another with "IE IA".
- Brand and Model:** The TEKA logo is on the left, and the model number "HLB 860 P" is centered.
- Energy Efficiency Scale:** A vertical bar on the left shows efficiency levels from A+++ (dark green) at the top to D (red) at the bottom. A black arrow points to the A+ level.
- Capacity:** A washing machine icon is shown above a box containing "70 L".
- Energy Consumption:** A box shows a washing machine icon and "0.88 kWh/cycle\*". Below it, another box shows a cycle icon and "0.68 kWh/cycle\*".
- Footnote:** A small line of text at the bottom explains the asterisk: "\* циклът - cycle; порция - portion; зыklus - porcyon; ciclo - tsiklet; objehta - ciklus; ciklas cikls ciklu - cyclus - cykl - ciklu - program - cykel".
- Regulation:** The number "65/2014" is printed at the very bottom.