



C 9420 Classical integrated hood with finger print proof front panel, 90cm



LED

DESCRIPTION

Classical integrated hood with finger print proof front panel, 90cm

COLOURS



REFERENCE

REF. 40466250
EAN. 8421152146125

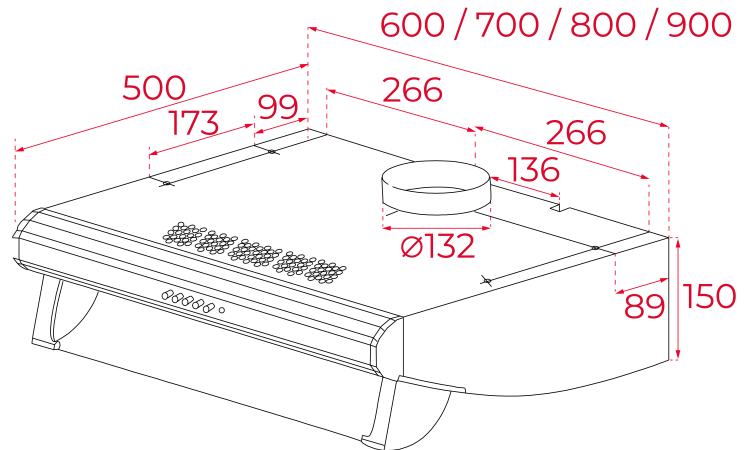


TEKA

C 9420

FEATURES

Classic hood
Push buttons control
3 speeds
Free Outlet exhaust capacity (m³/h):422
Max speed exhaust capacity (m³/h):375
Min speed exhaust capacity (m³/h): 141
Max speed sound level (dBA): 72
Min speed sound level (dBA): 60
2 LEDS lamps
3 aluminium filters
Operating pilot light
Fingerprint proof front panel
Anti-return valve included
Optional Charcoal Filter:C1R



DIMENSIONS

Product height (mm): 150
Product width (mm): 900
Product depth (mm): 500
Product length (mm):
Net weight (Kg): 9,93

TECHNICAL DETAILS

FEATURES

Certificates: CE; CB; Rohs
Ø Outlet (mm): 120
Type of inner light: LED
Inside light Consumption (W): 6
Plug type: European plug
Power rate (V): 230
Frequency (Hz): 50
Total hood power (W): 200
Number of motors: 2
Motor power (W): 188
Air flow (Qmin) m³/h: 187
Air flow (Qmax): 353

ACCESSORIES

Anti Return valve: Yes
Outlet extension: Yes
Optional Charcoal Filter: C1R
Integration Frontal panel Code: No
Conventional recirculation kit (opt) - w/tube cover: No

MODELS

Number of filters: 3

Filter description: Aluminum

Control panel: Push buttons

Number of speeds: 3

Fingerprint proof front panel: Yes



C 9420

ENERGY LABEL

