



# MWR 22 BI 22L Built-in Microwave with ceramic base



Ceramic base



Defrost By Time



Electronic Door Opening



22L

## DESCRIPTION

22L Built-in Microwave with ceramic base

## LIFE STYLE

Total

## COLOURS



## REFERENCE

REF. 40586302  
EAN. 8421152141014



TEKA

MWR 22 BI

## FEATURES

Country Style Edition  
Built-in Microwave  
Ceramic base with uniform heating  
1 cooking function  
5 power levels, 1400 W  
Defrost by time  
Mechanical control knobs  
Double glazed door with left opening  
Electronic door opening  
Automatic disconnection when open door  
Incandescent inner light  
Capacity (gross/net): 22 / 21,56 litres  
Stainless steel cavity  
Tangential ventilation

## DIMENSIONS

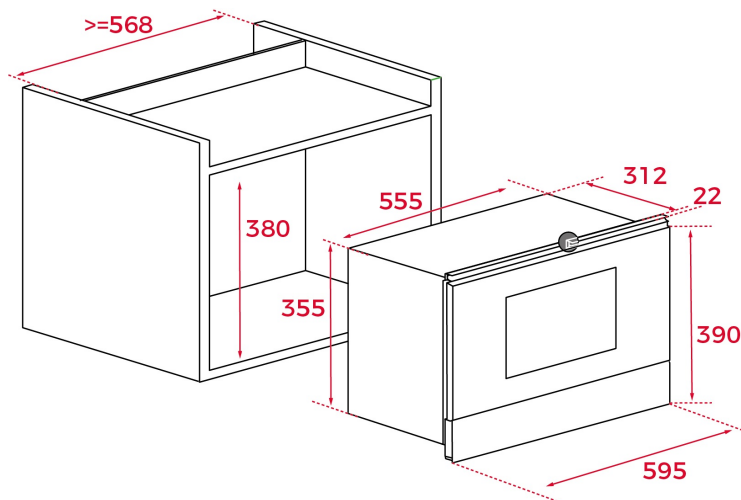
**Product height (mm):** 380/390

**Product width (mm):** 595

**Product depth (mm):** 334

**Product length (mm):**

**Net weight (Kg):** 21,6



## TECH SPECS

### PARTICULAR CHARACTERISTICS

**Certificates:** CE; CB; EAC

**Type of inner light:** Incandescent

**Inside light position:** RIGHT

**Function selector:** MECHANICAL

**Number of cooking functions:** 1

**Knobs type:** 2 ROTATING MECHANICAL

**Number of guide levels (lower cavity):** 0

**Microwave function:** Yes

**Microwave defrosting:** Yes

**Number of power levels:** 5

**Tangential ventilation:** Yes

### ELECTRIC CONNECTION

**Maximum Nominal Power (W):** 1400

**Frequency (Hz):** 50

**Power rate (V):** 220-240

**Cable Connection Length (cm):** 150

**Plug:** Yes

**Inside light Consumption (W):** 20

### ENERGY CONSUMPTION

**Cooling Fan Motor (W):** 18

### SECURITY SYSTEM

**Automatic disconnection when opening the door:** Yes

**Safety Thermostat:** Yes



