

REFERENCE

REF: 112500034

EAN: 8434778012057

FEATURES

Induction hob
 Touch control MultiSlider
 Flex Function
 SlideCooking Function
 5 cooking zones:
 1 induction Ø 150 mm
 1 induction Ø 215 mm
 1 induction Ø 320 - 180 mm
 2 induction Ø 228 x 200 mm
 Direct Functions: Simmering, Melting, Keep Warm, Grilling, Pan Frying, Deep Frying, Confit, Poach, Quick Boiling
 Residual heat indicators
 Fast-Click easy installation
 Power Plus function
 Stop&Go function
 Timer
 Acoustic alarm
 Auto lock safety system
 Child lock safety system
 Maximum nominal power : 10.800 W



Easy
installation
system



Autolock



MultiSlider,
for
independent
control of
each
cooking
zone



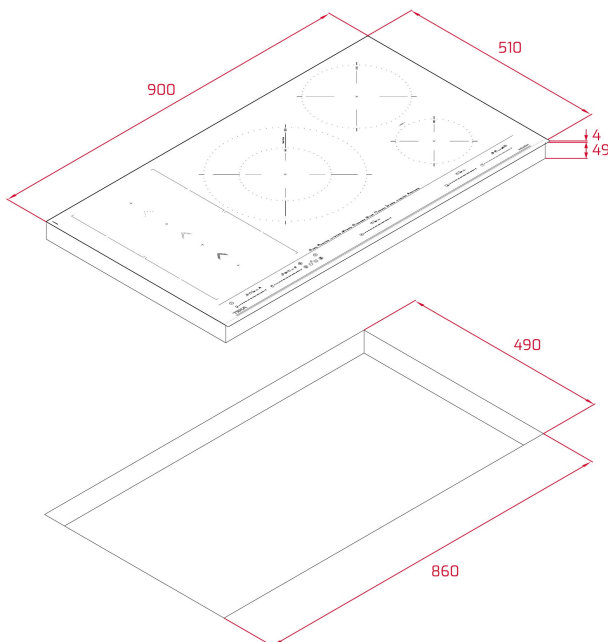
Power
function



Power Plus
function



Super
Zone XL

**DIMENSIONS**

Product height (mm): 53

Product width (mm): 900

Product depth (mm): 510

Product length (mm):

Net weight (Kg): 15,18

TECHNICAL DETAILS

Power rate (V): 220-240

Frequency (Hz): 50/60

Maximum Nominal Power (W): TBC

COLOURS

112500034

Black Glass

ENERGY EFFICIENCY

Power consumption in standby mode (W): 0.4

Time to reach standby mode (min): 1