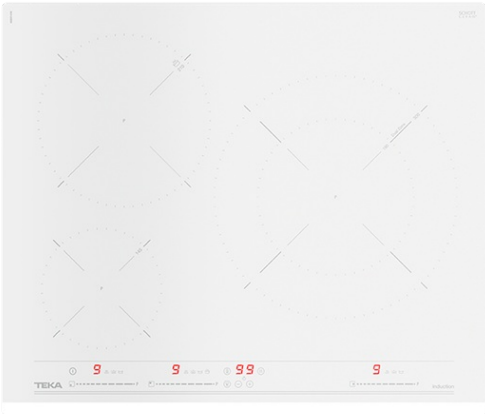




# IZ 6320 60cm Induction Hob with 3 zones and MultiSlider Touch Control



Easy installation system



Autolock



MultiSlider, for independent control of each cooking zone



Power function



Power Plus function

## DESCRIPTION

60cm Induction Hob with 3 zones and MultiSlider Touch Control

## LIFE STYLE

Total

## COLOURS



## REFERENCE

REF. 10210206  
EAN. 8421152148556

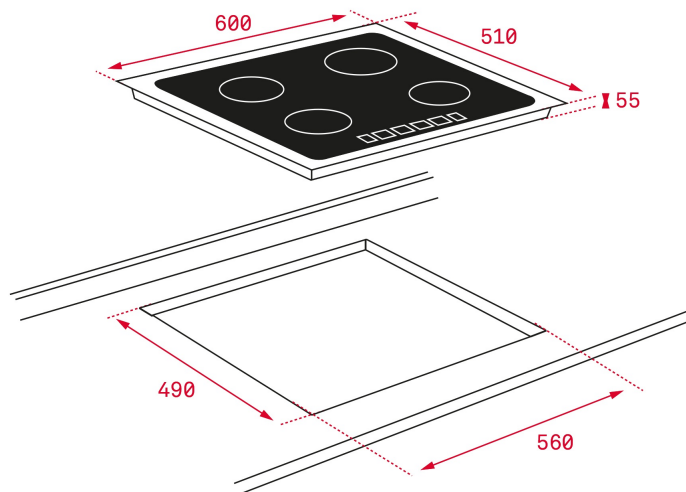


TEKA

IZ 6320

## FEATURES

Urban Colors Edition  
Induction hob  
Touch Control Multislider  
Cooking timer  
3 induction zones:  
1 induction Ø145 mm  
1 induction Ø210 mm  
1 induction Ø190/300 mm  
Special cooking functions: Quick Boiling, Melting, Simmering and KeepWarm  
Power Plus function  
Child lock  
Stop & Go function  
Silence mode  
Fast-Click easy installation  
Maximum nominal power: 7.400 W



## DIMENSIONS

**Product height (mm):** 50  
**Product width (mm):** 600  
**Product depth (mm):** 510  
**Product length (mm):**  
**Net weight (Kg):** 10,44

## TECH SPECS

### FITTING MEASURES

**Built-in Width (mm):** 560  
**Built-in Depth (mm):** 490  
**Built-in Height (mm):** 50

### PARTICULAR CHARACTERISTICS

**Number of electric power levels:** 9  
**Quick Boiling:** Yes  
**Simmering:** Yes  
**Melting:** Yes  
**Keeping warm:** Yes  
**Power management function:** Yes

### ELECTRIC CONNECTION

**Frequency (Hz):** 50/60  
**Power rate (V):** 220-240  
**Cable Connection Length (cm):** 110  
**Maximum Nominal Power (W) (Electric hob):** 7400

### COOKING ZONES

**Cooking Zones:** 3

**Energy consumption for the whole hob, Wh/Kg:** 184  
**Left rear cooking zone - Diameter (mm):** 210  
**Left rear cooking zone - Type:** Single Zone  
**Left rear cooking zone - Consumption in Wh/Kg (EU 66/2014):**  
178,3  
**Left front cooking zone - Diameter (mm):** 145  
**Left front cooking zone - Type:** Single Zone  
**Left front cooking zone - Consumption in Wh/Kg (EU 66/2014):**  
201,5  
**Center rear cooking zone - Consumption in Wh/Kg (EU 66/2014):** No  
**Center front cooking zone - Consumption in Wh/Kg (EU 66/2014):** No  
**Right rear cooking zone - Consumption in Wh/Kg (EU 66/2014):**  
172,4  
**Right center cooking zone - Diameter (mm):** 190 / 300  
**Right center cooking zone - Type:** Double Zone  
**Right front cooking zone - Consumption in Wh/Kg (EU 66/2014):** No

## **SECURITY SYSTEM**

**Residual heat indicator (Gas):** Yes  
**Residual heat indicator (Electric hob):** Yes  
**Automatic safety disconnection (Auto Lock) (Electric hob):** Yes  
**Safety Blocking:** Yes  
**Child lock:** Yes

## **FINISH**

**Surface finishing:** Front bevelled glass  
**Surface type:** Ceramic Glass (4mm)  
**Easy installation system:** Yes

## **ACCESSORIES**

**Junction Kit:** Optional  
**Teppan Yaki:** Optional

