



DLV 985 Urban Colors Edition 90cm Vertical Hood with Contour Rim extraction system and Touch control display



LED lighting



Rim extraction



Stop delay timer

DESCRIPTION

Urban Colors Edition 90cm Vertical Hood with Contour Rim extraction system and Touch control display

LIFE STYLE

Maestro

COLOURS



REFERENCE

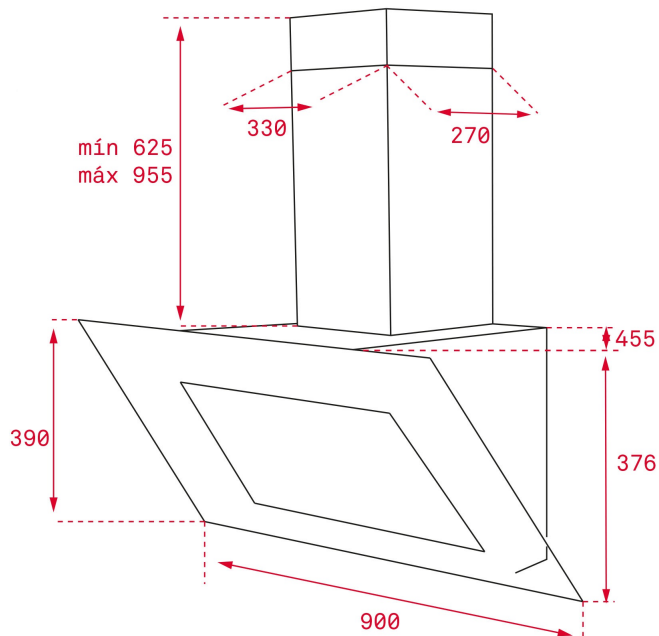
REF. 112930010
EAN. 8434778009583

FEATURES

Urban Colors Edition
Quadro vertical hood
Double turbine motor ECOPOWER
Extraction rim system "Contour"
Digital control Touch Control with white display
3 speeds + Intensive
Saturation filters lighting indicator
Exhaust capacity (*): min.325 m³/h - max.782 m³/h
Sound level (*): min.54 dBA - máx.65 dBA
LED light bar
Stop delay timer
Recirculation function optional (SET D10CTP)

DIMENSIONS

Product height (mm): 800-1200
Product width (mm): 900
Product depth (mm): 450
Product length (mm):
Net weight (Kg): 20,27



TECH SPECS

PARTICULAR CHARACTERISTICS

Certificates: CE; CB; Rohs
Ø Outlet (mm): 150
Type of inner light: LED
Inside light Consumption (W): 7
Plug type: Schuko plug
Power rate (V): 230
Frequency (Hz): 50
Total hood power (W): 287
Number of motors: 1
Motor power (W): 280

ACCESSORIES

Anti Return valve: Yes
Outlet reduction: Yes
Optional Charcoal Filter: D4C
Conventional recirculation kit (opt) - w/tube cover: SET 1/N1

MODELS

Number of filters: 1
Filter description: Glass panel; aluminum filter below
Control panel: Touch control

Stop delay timer: Yes
Filter saturation indicator: Yes
Time clock: Yes
Number of speeds: 3+1



DLV 985

ENERGY LABEL

