



MaestroPizza HLB 8510 P MaestroPizza Pyrolitic Oven with special Pizza funtion 340°C



HydroClean



SurroundTemp,
extra rear
resistance for a
uniform
cooking



70L capacity



Plus extension
telescopic
guide



Pyrolytic
cleaning
system with 3
cleaning levels



SoftClose

DESCRIPTION

MaestroPizza Pyrolitic Oven with special Pizza funtion 340°C

COLOURS

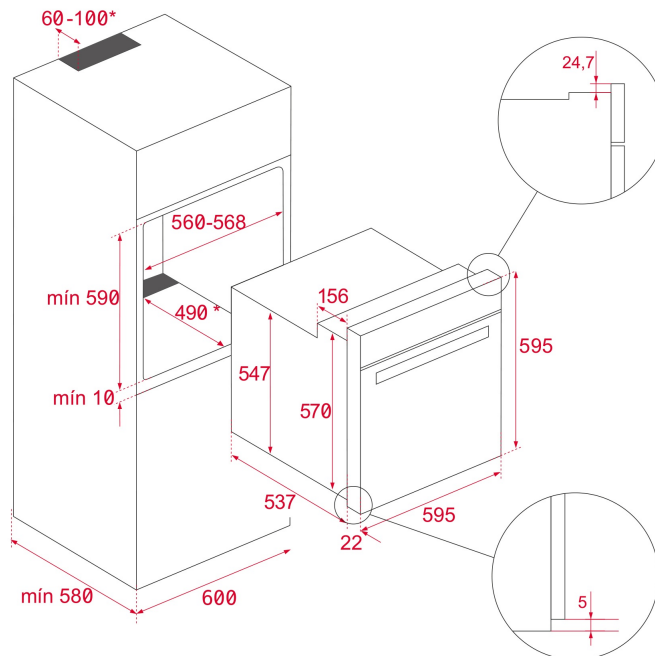


REFERENCE

REF. 111000046
EAN. 8434778017489

FEATURES

MaestroPizza Oven
340°C extra Powerfull grill
Includes special stone for cooking pizza
Pyrolytic function and HydroClean® PRO cleaning system
Multifunction SurroundTemp - 8 Cooking functions
SoftClose System
Capacity, gross/net: 71/70 litres
A+ Energy class: up to 20% less consumption
Touch Control Programmer
Telescopic Guides Easy Slide
Express preheating function
Four glazed door
Special baking tray for pizza
Anti-tip deep & baking trays and cooking grid
Children safety block option



DIMENSIONS

Product height (mm): 595

Product width (mm): 595

Product depth (mm): 537+22

Product length (mm):

Net weight (Kg): 34

TECHNICAL DETAILS

FEATURES

Certificates: CE

Number of cavities: 1

Type of inner light: Halogen

Inside light position: RIGHT TOP CORNER

Enamelled cavity: Yes

Min. Temperature Regulator (°C): 50

Max. Temperature Regulator (°C): 250

Function selector: 11+0

Number of cooking functions: 8

Top + Bottom function: Yes

Grill function: Yes

MaxiGrill function: Yes

Bottom + TURBO (Pizza) function: Yes

Turbo function: Yes

ECO function: Yes

Mechanical quick heating: Yes

Touch Control Programmer: Yes

Knobs type: MMX FIX knurling SS

Removable chromed tray guides: Yes

Number of guide levels: 5

Easy slide telescopic guides: Yes

SoftClose: Yes

ELECTRIC CONNECTION

Maximum Nominal Power (W): 3552
Frequency (Hz): 50/60
Power rate (V): 220-240
Cable Connection Length (cm): 150
Plug: Yes
Inside light Consumption (W): 25

ENERGY CONSUMPTION

Energy consumption per cycle in conventional mode (kWh):
0.88
Energy consumption per cycle in fan-forced convection mode (kWh): 0,68
Bottom Heating Element (W): 1050
Grill (W): 1400
Maxi Grill (W): 2450
Traditional (W): 2450
Turbo (W): 2000
Multifunction Turbo (W): 25
Cooling Fan Motor (W): 30

SAFETY SYSTEMS

Automatic disconnection when opening the door: Yes
Panel blocking system: Yes
Children safety block option: Yes
Grill protection: Yes
Anti-tip tray system: Yes
Safety Thermostat: Yes

CLEANING SYSTEM

Crystal Clean Enamel (Slippery): Yes
Hydroclean PRO: Yes
Pyrolytic: Yes
DualClean: Yes

ACCESSORIES

Baking Tray: 1
Deep Tray (50 mm): 1
Reinforced grid: 1

ENERGY EFFICIENCY

Energy Efficiency Class: A+
Energy Efficiency Index (EEI): 81



MaestroPizza HLB 8510 P

ENERGY LABEL

ENERG Y UJ
енергия · ενεργεια
IE IA

TEKA HLB 8510 P

A+++
A++
A+ **A+**
A
B
C
D

70 L

0.88 kWh/cycle*
0.68 kWh/cycle*

* цинья · cyclus · portion · zykus · porção · ciclo · tsükkel · ohjelma · ciklus · ciklas · ciklo · ciklu · cyclus · cykl · ciclo · program · cykel

65/2014