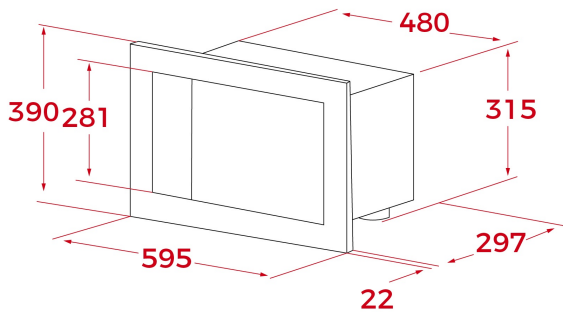


**TEKA**

## NEO MS 6200 BIH SS

Built-in microwave with 3 shortcut menus and touch control

Defrost By  
TimeDefrost By  
WeightDirect  
Access  
Menu

## REFERENCE

REF: 112070013

EAN: 8434778035636

## FEATURES

Neo Series  
Built-in Microwave  
1 cooking functions  
3 autocoooking menus  
5 power levels  
Defrosting by time and weight  
Mechanical control with knobs and minute minder  
0-90 min. Timer  
Double glazed door with left opening  
Automatic disconnection when open door  
Stainless steel fingerprint proof  
Quick start  
Stainless steel cavity  
Capacity (gross/net): 20 / 18 litres

## DIMENSIONS

**Product height (mm):** 390**Product width (mm):** 595**Product depth (mm):** 325**Product length (mm):****Net weight (Kg):** 16,5

## TECHNICAL DETAILS

MWO Power (W): -

Frequency (Hz): 50

Maximum Nominal Power (W): 1200

Grill (W): -

## COLOURS



112070013

Stainless steel