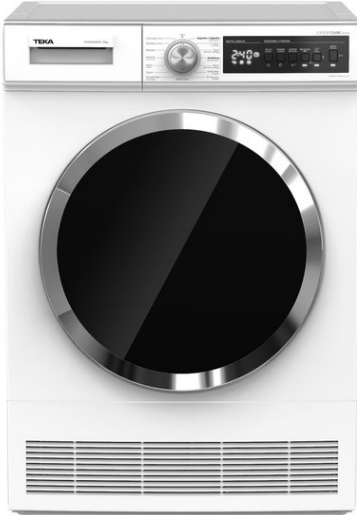




SCT 70810 ExpertCare Series Dryer with 15 drying programs and 8kg capacity



Quick Cycle



Washing capacity: 8Kg

DESCRIPTION

ExpertCare Series Dryer with 15 drying programs and 8kg capacity

LIFE STYLE

Maestro

COLOURS

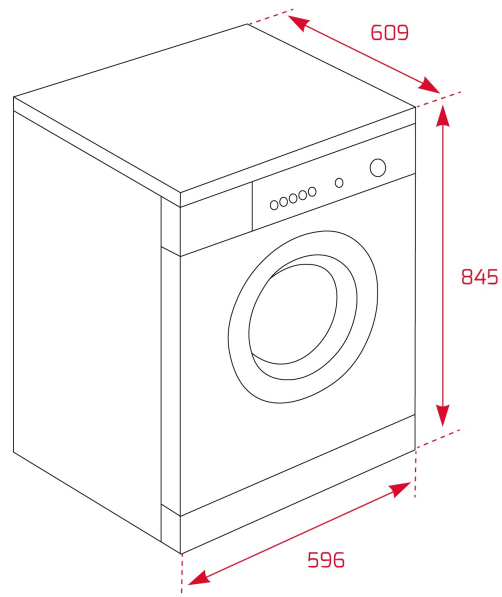


REFERENCE

REF. 114060002
EAN. 8434778016659

FEATURES

PremiumCare series
Free Standing Dryer
Condensed drying technology
ExcellentDry sensor
Electronic control panel with display
Drying capacity: 8 kg
Drying programs: 15
Fast program: 12/29 minutes
Special programs: ECO mode, Wool care, Delicate, Sport, Baby Care, Refresh, Express
Express: 29 minutes
Shirts: 12 minutes
Special functions: Delay timer, Easy ironing, Delicate, Drying level, Time Dry
Child lock
SoftCare drum
Delay timer: 1-23 hours
47 cm wide porthole door
Reversible door



DIMENSIONS

Product height (mm): 845
Product width (mm): 596
Product depth (mm): 609
Product length (mm):
Net weight (Kg): 38,9

TECH SPECS

PRODUCT SHEET

Type of installation: Free Standing
Drying capacity (Kgs): 8
Condensation efficiency: B
Energy consumption per drying cycle (Full load) (kWh): 4.68
Energy consumption (kWh/year): 561
Duration of drying cycle (Full load) (minutes): 99
Automatic (sensor drying): Yes

POWER SUPPLY

Frequency (Hz): 50
Power rate (V): 220-240
Maximum Nominal Power (W): 2700
Nominal power motor (W): 200

PARTICULAR CHARACTERISITICS

Glass door diameter (cms): 47
Number of programs: 15
Control panel: ELECTRONIC T2
Child lock: Yes
Cancel spin cycle button: Yes
Bidirectional rotation: Yes

CONTROL INDICATOR LIGHTS

Reversible door: Yes
Drum light: Yes
Drum: Stainless Steel

Selected program indicator: Yes
Remaining time: Yes
Drying: Yes
Dryer timer: Yes
Full water tank indicator: Yes

SPECIAL FUNCTIONS

Fast program: Yes
Fast program (minutes): 12 min / 29 min
Economic program: Yes
Delayed Timer (h): 1-23
Delicate fabrics: Yes
Resistant: Yes
Easy ironing/anti crease: Yes

EQUIPMENT

Adjustable Feet Back: Yes
Adjustable feet front: Yes



SCT 70810

ENERGY LABEL

The energy label for the TEKA SCT 70810 WH washing machine features a blue header with the European Union flag and the word "ENERG" in large letters, with "енергия" (energy) in Cyrillic and "енергія" (energy) in Ukrainian below it. To the right of "ENERG" are four small circles containing the letters Y, IA, IE, and IA. Below the header is the TEKA logo and the model number SCT 70810 WH. The main part of the label is a vertical scale of energy efficiency classes from A+++ (top, green) to D (bottom, red). A black arrow points to the class B, which is highlighted in black. Below the scale, the text "ENERGIA · ЕНЕРГІЯ · ENERTEIA" and "ENERGIA · ENERGY · ENERGIE ENERGI" is displayed. To the right of this text is a box containing the value "561 kWh/annum". Below the text are four icons: a washing machine, a clock, a t-shirt, and a speaker. Below these icons are the values "129 min/cycle*", "8,0 kg", and "65 dB". At the bottom left is a small icon of a hand holding a water tap with the text "ABCDEF" below it. At the bottom right is a small text block: "*цикла - циклус - portion - zykus porcyonau - ciclo - tsykkel opletma - nollus - ciklus - ciklu ciklu - cyclus - cykl - ciclo program - tarkomgung". At the bottom left corner of the label is the number "392/2012".