



# TK3 1490 WD 9kg Free Standing Washer Dryer



Quick cycle program



6Kg washing capacity



9Kg washing capacity

**DESCRIPTION**

9kg Free Standing Washer Dryer

**LIFE STYLE**

Total

**COLOURS**



**REFERENCE**

REF. 40878061  
EAN. 8421152127612



**TEKA**

**TK3 1490 WD**

**FEATURES**

Free standing washer-dryer

Washing capacity : 9 kg

Drying capacity : 6 kg

11 washing programmes

4 drying programmes

Electronic control panel

LED display

Maximum spin speed : 1400 rpm

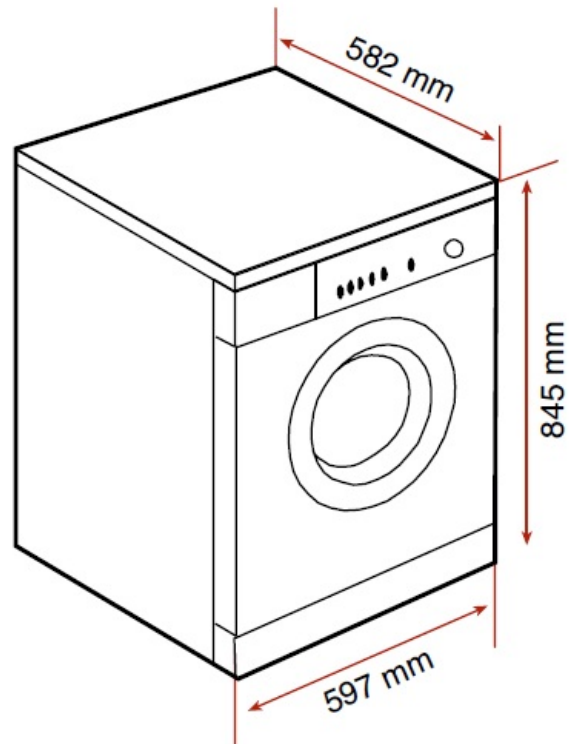
Fast program 12 minutes

Automatic water regulation

Delay timer 1-24h

33 cm wide porthole

Energy class A/A

**TEKA****TK3 1490 WD**

## DIMENSIONS

**Product height (mm):** 845  
**Product width (mm):** 597  
**Product depth (mm):** 582  
**Product length (mm):**  
**Net weight (Kg):** 78

## TECH SPECS

### PRODUCT SHEET

**Type of load:** FRONT  
**Type of installation:** Free standing  
**Washing capacity (Kgs):** 9  
**Drying capacity (Kgs):** 6  
**Energy consumption (kWh/year):** 210  
**Water consumption (litres/year):** 9800  
**Maximum spinning speed (RPM):** 1400  
**Certificates:** CE + IMQ + VDE

### POWER SUPPLY

**Frequency (Hz):** 50  
**Power rate (V):** 220-240  
**Maximum Nominal Power (W):** 2200  
**Nominal power motor (W):** 200  
**Power of heating element (W):** 1850

### PARTICULAR CHARACTERISITICS

**Stainless Steel Drum:** Yes  
**Glass door diameter (cms):** 47  
**Number of programs:** 11  
**Control panel:** ELECTRONIC

## CONTROL INDICATOR LIGHTS

**Electronic washing management:** Yes

**Child lock:** Yes

**Auto lock door:** Yes

**Cancel spin cycle button:** Yes

**Removable work top:** Yes

**Selected program indicator:** Yes

**Remaining time:** Yes

**Drying:** Yes

**Dryer timer:** Yes

## SPECIAL FUNCTIONS

**Fast program:** Yes

**Fast program (minutes):** 12

**Economic program:** Yes

**Intense program:** Yes

**Extra rinse:** Yes

**Delicate fabrics:** Yes

**Resistant:** Yes

## EQUIPMENT

**Adjustable Feet Back:** Yes

**Adjustable feet front:** Yes

## PRODUCT INFORMATION SHEET (UE) 2019/2014

**Supplier's name or trade mark :** VESTEL

**Supplier's address :** -

**Model identifier :** TK3 1490 WD (EXP)

**General product parameters**

**Rated capacity for the eco 40-60 programme (Kg) :** 9

**Dimensions (cm)**

**Height :** 84,5

**Width :** 59,7

**Depth:** 58,2

**Consumption and efficiency**

**Energy Efficiency Index (a):**

**Energy efficiency class (a):**

**Washing efficiency index (a):** 1,04

**Rinsing effectiveness (g/kg) (a):** 5

**Energy consumption in kWh per cycle, based on the eco 40-60 programme. Actual energy consumption will depend on how the appliance is used.:**

**Water consumption in litre per cycle, based on the eco 40-60 programme. Actual water consumption will depend on how the appliance is used and on the hardness of the water.:**

**Maximum temperature inside the treated textile (a) (°C)**

**Rated capacity:**

**Half capacity:**

**Quarter capacity:**

**Remaining moisture content (a) (%)**

**Rated capacity:**

**Half:**

**Quarter:**

**Spin speed (a) (rpm)**

**Rated capacity:** 1400

**Half:** 1400  
**Quarter:** 1400  
**Spin-drying efficiency class (a):** B

**Eco 40-60 programme duration (a) (h:min)**

**Rated capacity:**

**Half:**

**Quarter:**

**Other**

**Type:** Free standing

**Airborne acoustical noise emissions in the spinning phase (a) (dB(A) re 1 pW):**

**Airborne acoustical noise emission class (a) (spinning phase):**

**Off-mode (W):** 0,5

**Standby mode (W):** 1

**Delay start (W) (if applicable):** 4

**Networked standby (W) (if applicable):** 2

**Minimum duration of the guarantee offered by the supplier (b):** -

**This product has been designed to release silver ions during the washing cycle YES/NO:** 0

**Additional information:**

Weblink to the supplier's website, where the information in point 9 of Annex II to Commission Regulation (EU) 2019/2023 (1) (b) is found:

(a) for the eco 40-60 programme.

(b) changes to these items shall not be considered relevant for the purposes of paragraph 4 of Article 4 of Regulation (EU) 2017/1369.

(c) if the product database automatically generates the definitive content of this cell the supplier shall not enter these data.

## **TECHNICAL DOCUMENTATION (UE) 2019/2014**

**Rated capacity for the eco 40-60 programme, at 0,5 kg intervals (c):**

**Energy consumption of the eco 40-60 programme at rated capacity (EW,full):** 1,17

**Energy consumption of the eco 40-60 programme at half rated capacity (EW,½):** 0,543

**Energy consumption of the eco 40-60 programme at quarter rated capacity (EW,1/4):** 0,281

**Weighted energy consumption of the eco 40-60 programme (EW):** -

**Standard energy consumption of the eco 40-60 programme (SCEW):** 0,951

**Energy Efficiency Index (EEIW):**

**Water consumption of the eco 40-60 programme at rated capacity (WW,full):** 55,8

**Water consumption of the eco 40-60 programme at half rated capacity (WW,½):** 39,9

**Water consumption of the eco 40-60 programme at quarter rated capacity (WW,1/4):** 37

**Weighted water consumption (WW):** -

**Washing efficiency index of the eco 40-60 programme at rated capacity (Iw):** 1,04

**Washing efficiency index of the eco 40-60 programme at half rated capacity (Iw):** 1,05

**Washing efficiency index of the eco 40-60 programme at quarter rated capacity (Iw):** 1,05

**Rinsing effectiveness of the eco 40-60 programme at rated capacity (IR):** 4,7

**Rinsing effectiveness of the eco 40-60 programme at half rated capacity (IR):** 4,6

**Rinsing effectiveness of the eco 40-60 programme at quarter rated capacity (IR):** 4,5

**Programme duration of the eco 40-60 programme at rated capacity (tw):**

**Programme duration of the eco 40-60 programme at half rated capacity (tw):**

**Programme duration of the eco 40-60 programme at quarter rated capacity (tw):**

**Temperature reached for minimum 5 min inside the load during eco 40-60 programme at rated capacity (T):**

**Temperature reached for minimum 5 min inside the load during eco 40-60 programme at half rated capacity (T):**

**Temperature reached for minimum 5 min inside the load during eco 40-60 programme at quarter rated capacity (T):**

**Spin speed in the spinning phase of the eco 40-60 programme at rated capacity (S): 1404**

**Spin speed in the spinning phase of the eco 40-60 programme at half rated capacity (S): 1402**

**Spin speed in the spinning phase of the eco 40-60 programme at quarter rated capacity (S): 1402**

**Remaining moisture content for the eco 40-60 programme at rated capacity (Dfull):**

**Remaining moisture content for the eco 40-60 programme at half rated capacity (D1/2):**

**Remaining moisture content for the eco 40-60 programme at quarter rated capacity (D1/4):**

**Weighted remaining moisture content (D):**

**Airborne acoustical noise emissions during eco 40-60 programme (spinning phase):**

**Power consumption in 'off mode' (Po): 0,5**

**Power consumption in 'standby mode' (Psm): 1**

**Does 'standby mode' include the display of information?**

**YES/NO:**

**Power consumption in 'standby mode' (Psm) in condition of networked standby (if applicable): 2**

**Power consumption in 'delay start' (Pds) (if applicable): 4**

**Additional information:**

(c) where appropriate, the references of the harmonised standards applied;

(d) where appropriate, the other technical standards and specifications used;

(e) the details and the results of calculations performed in accordance with Annex IV;

(f) a list of all equivalent models including the model identifier.



TK3 1490 WD

ENERGY LABEL

**Energy** Washer-Dryer

Manufacturer **teka**  
Model **TK3 1490 WD**

**More efficient**

**Less efficient**

|   |   |
|---|---|
| Energy consumption kWh<br><small>(to wash and dry a full capacity wash load at 60°C)</small>            | <b>6.12</b>   |
| Washing (only) kWh<br><small>Actual energy consumption will depend on how the appliance is used</small> | <b>0.90</b>   |
| Washing performance<br><small>A: higher G: lower Spin speed (rpm)</small>                               | <b>A</b> B C D E F G<br><b>1400</b>                         |
| Capacity (cotton) kg  | Washing <b>9.0</b><br>Drying <b>6.0</b>                     |
| Water consumption (total) l   | <b>112</b>  |
| Noise (dB(A)re 1 pW)  | Washing <b>58</b><br>Spinning <b>77</b><br>Drying <b>64</b> |

Further information is contained in product brochures.

Norm EN 50229  
Washer-dryer Label Directive No 96/60/EC.