



FRAME Mixer



Anti-scale
aerator



Swivel spout

DESCRIPTION

Mixer

LIFE STYLE

Total

COLOURS



REFERENCE

REF. 509150210
EAN. 8413209204565



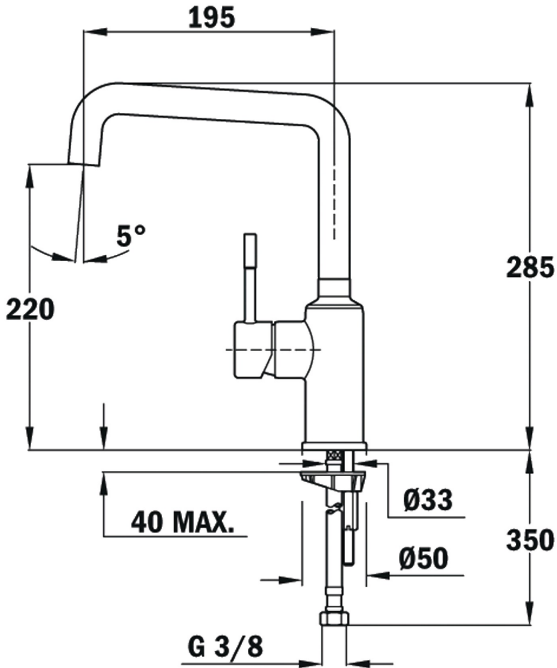
FRAME

FEATURES

Mixer
Swivel spout 3/8" flexible inlet pipes
Anti-scale aerator



FRAME



DIMENSIONS

- Product height (mm): 285
- Product width (mm):
- Product depth (mm):
- Product length (mm):
- Net weight (Kg): 2,55

TECH SPECS

MODELS

- Type of installation: Free standing
- Type of spout: High spout
- Type of handle: Single lever

