



IC 915 Mixer



Anti-scale
aerator



Swivel spout

DESCRIPTION

Mixer

LIFE STYLE

Total

COLOURS



REFERENCE

REF. 339150210
EAN. 8421152090398



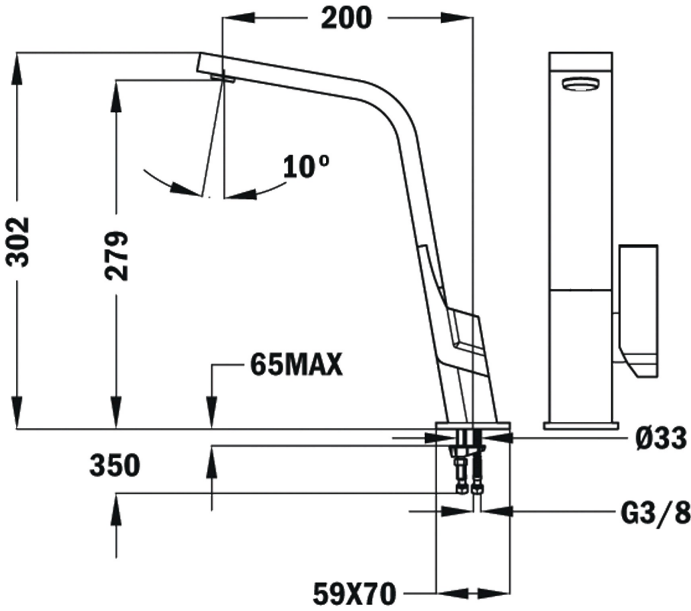
IC 915

FEATURES

Mixer
Swivel spout
Anti-scale aerator 3/8" flexible inlet pipes



IC 915



DIMENSIONS

- Product height (mm): 302
- Product width (mm):
- Product depth (mm):
- Product length (mm):
- Net weight (Kg): 2,4

TECH SPECS

MODELS

- Type of installation: Free standing
- Type of spout: High spout
- Type of handle: Single lever

