



MWE 209 FI 20L Built-in Microwave + Grill



Defrost by time



Defrost by weight



Direct access menu



20L capacity

DESCRIPTION

20L Built-in Microwave + Grill

LIFE STYLE

Total

COLOURS



REFERENCE

REF. 40581119
EAN. 8421152127230

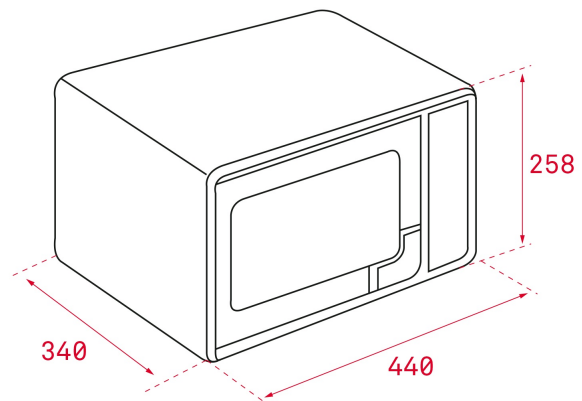


TEKA

MWE 209 FI

FEATURES

Built-in microwave + Grill
Capacity: 20 litres
Electronic control panel with white LED display
Quick start +30"
Double glass door
5 Power levels: 800 W.
Drop down grill: 1,000 W
Maximum nominal power: 1,250 W
8 Auto-cook menus
3 Cooking function (Mic, Grill, Mic-Grill)
Defrost by time and weight
Timer 0-95 minutes
Turntable 24.5cm
Safety block
Fingerprint-proof stainless steel
Stainless steel inner cavity



DIMENSIONS

Product height (mm): 340
Product width (mm): 463
Product depth (mm): 360
Product length (mm):
Net weight (Kg): 15,0

TECH SPECS

PARTICULAR CHARACTERISTICS

Certificates: GS / EMC
Number of cooking functions: 3
Grill function: Yes
Number of guide levels (lower cavity): 0
Microwave function: Yes
Number of power levels: 5

ELECTRIC CONNECTION

Maximum Nominal Power (W): 1250
Frequency (Hz): 50
Power rate (V): 230
Inside light Consumption (W): 20

ENERGY CONSUMPTION

Grill (W): 1000
Turbo (W): 0

SECURITY SYSTEM

Children safety block option: Yes
Safety Thermostat: Yes

CLEANING SYSTEM

Fingerprint proof stainless steel: Yes

ACCESSORIES

Glass Tray: 1

Crunch plate: 0

