

**381.381 1B (15.15) 6"**

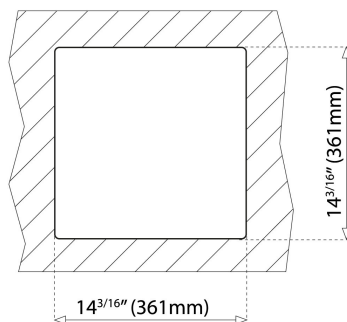
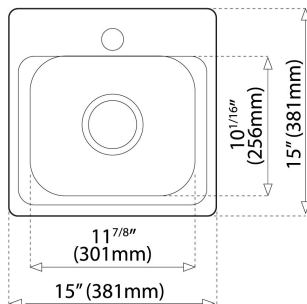
381.381 (15"x 15") 6", 1 hole, 1 bowl (LxW)



Antibacterial



Lifetime warranty

**REFERENCE**

REF: 88211121913

EAN: 606896882043

**FEATURES**

Material: Stainless steel

Finish: Polished

Installation: Topmount

Drain size: 3 1/2" / 1 1/2"

Gauge: 24

Tap holes: 1

SilentSmart system

Includes: installation hardware

Dimensions:

External (L/W): 15" x 15" (381 x 381 mm)

Bowl (L/W/D): 11 7/8" x 10 1/16" x 6" (301 x 256 x 153 mm)

**DIMENSIONS****Product height (mm):****Product width (mm):** 381**Product depth (mm):** 153**Product length (mm):** 381**Net weight (Kg):** 2,7**COLOURS**

88211121913

Stainless Steel



88211321913

Stainless Steel