



Ceramic base



Defrost By Time



Defrost By Weight



Direct Access Menu



Electronic Door Opening



22L

## REFERENCE

REF: 112030001

EAN: 8434778007688

## FEATURES

Urban Colors Edition  
 Built-in Microwave + Grill  
 Ceramic base with uniform heating  
 3 cooking functions  
 9 direct access menus  
 5 power levels, 2500 W  
 Grill power: 1200 W  
 Defrost by time and weight  
 Touch control display with knobs  
 Double glazed door with left opening  
 Electronic door opening  
 Automatic disconnection when open door  
 Incandescent inner light  
 Dropdown grill  
 Quick start  
 Capacity (gross/net): 22 / 21,56 litres  
 Stainless steel cavity  
 Crunch plate included  
 Tangential ventilation

## DIMENSIONS

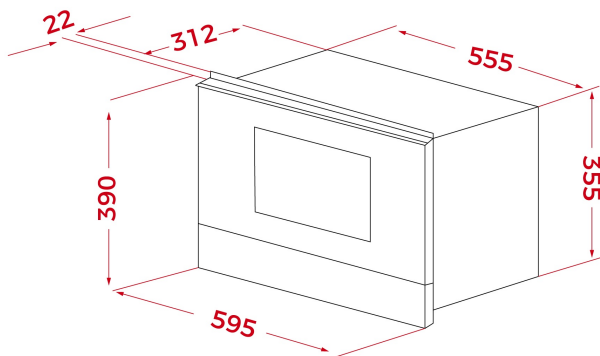
**Product height (mm):** 390

**Product width (mm):** 595

**Product depth (mm):** 334

**Product length (mm):**

**Net weight (Kg):** 22



## TECH SPECS

MWO Power (W): 850

Frequency (Hz): 50

Maximum Nominal Power (W): 2500

Grill (W): 1200

## COLOURS



112030001 Black Glass



112030002 London brick brown glass



112030002 Steam Grey Glass



112030002 White Glass



112030002 Stone Grey Glass