



Ceramic base



Defrost By Time



Defrost By Weight



Direct Access Menu



Electronic Door Opening



22L

REFERENCE

REF: 112030000

EAN: 8434778007671

FEATURES

Urban Colors Edition
 Built-in Microwave + Grill
 Ceramic base with uniform heating
 3 cooking functions
 9 direct access menus
 5 power levels, 2500 W
 Grill power: 1200 W
 Defrost by time and weight
 Touch control display with knobs
 Double glazed door with left opening
 Electronic door opening
 Automatic disconnection when open door
 Incandescent inner light
 Dropdown grill
 Quick start
 Capacity (gross/net): 22 / 21,56 litres
 Stainless steel cavity
 Crunch plate included
 Tangential ventilation

DIMENSIONS

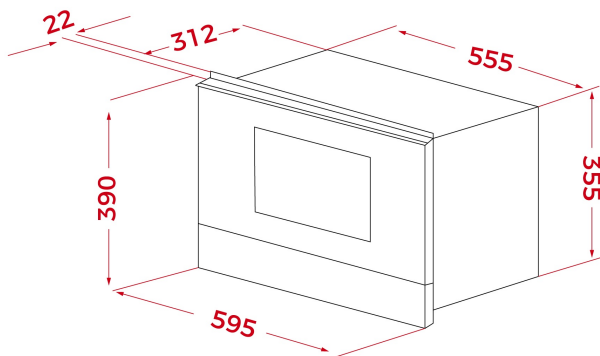
Product height (mm): 390

Product width (mm): 595

Product depth (mm): 334

Product length (mm):

Net weight (Kg): 22



TECH SPECS

MWO Power (W): 850

Frequency (Hz): 50

Maximum Nominal Power (W): 2500

Grill (W): 1200

COLOURS

-  112030000 White Glass
-  112030002 London brick brown glass
-  112030002 Steam Grey Glass
-  112030002 Black Glass
-  112030002 Stone Grey Glass