

**TEKA****ML 8220 BIS L LB**

Urban Colors Edition. Built-in microwave with grill, ceramic base and left door opening



Ceramic base



Defrost By Time



Defrost By Weight



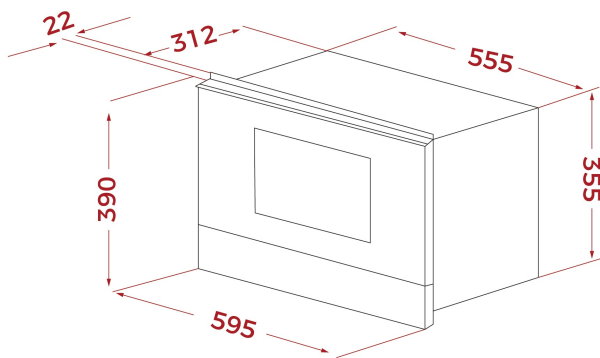
Direct Access Menu



Electronic Door Opening



22L

**REFERENCE**

REF: 112030003

EAN: 8434778007701

**FEATURES**

Urban Colors Edition  
 Built-in Microwave + Grill  
 Ceramic base with uniform heating  
 3 cooking functions  
 9 direct access menus  
 5 power levels, 2500 W  
 Grill power: 1200 W  
 Defrost by time and weight  
 Touch control display with knobs  
 Double glazed door with left opening  
 Electronic door opening  
 Automatic disconnection when open door  
 Incandescent inner light  
 Dropdown grill  
 Quick start  
 Capacity (gross/net): 22 / 21,56 litres  
 Stainless steel cavity  
 Crunch plate included  
 Tangential ventilation

**DIMENSIONS****Product height (mm):** 390**Product width (mm):** 595**Product depth (mm):** 334**Product length (mm):****Net weight (Kg):** 23,2**TECHNICAL DETAILS**

MWO Power (W): 850

Frequency (Hz): 50

Maximum Nominal Power (W): 2700

Grill (W): 1200

**COLOURS**

	112030003	London brick brown glass
	112030004	Stone grey glass
	112030004	White glass
	112030004	Black glass
	112030004	Steam grey glass