

**Stone 80 B-TG 2B 1D**

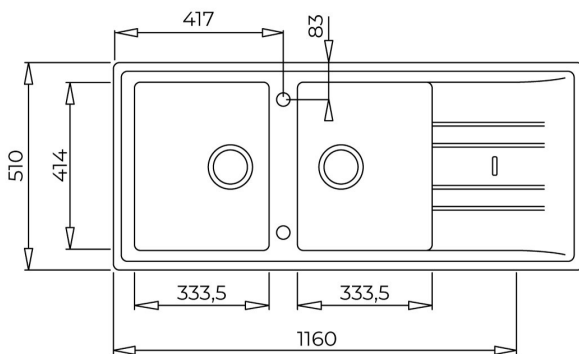
Inset Tegrinite sink with two bowls and one drainer

200mm  
depthColour  
Intensity

Easy Clean



Food safe

High  
resistance**REFERENCE**

REF: 115400009

EAN: 8434778004915

**FEATURES**

Stone Series

Tegrinite+ sink

Two bowls and one drainer

High resistance surface to impacts, thermal shocks and high temperatures

Excellent UV resistance against decoloring

Bacteria-free surface very easy to clean

Inset installation

80% quartz and resins

3½" automatic basket waste with siphon

200 mm deep bowls

80 cm base unit

**DIMENSIONS****Product height (mm):****Product width (mm):** 510**Product depth (mm):** 200**Product length (mm):** 1160**Net weight (Kg):** 18,5**COLOURS**

115400009 Carbon



115400010 Metallic grey



115400010 Dark grey



115400010 White



115400010 Topasbeige



115400010 Metallic black



115400010 Sandbeige