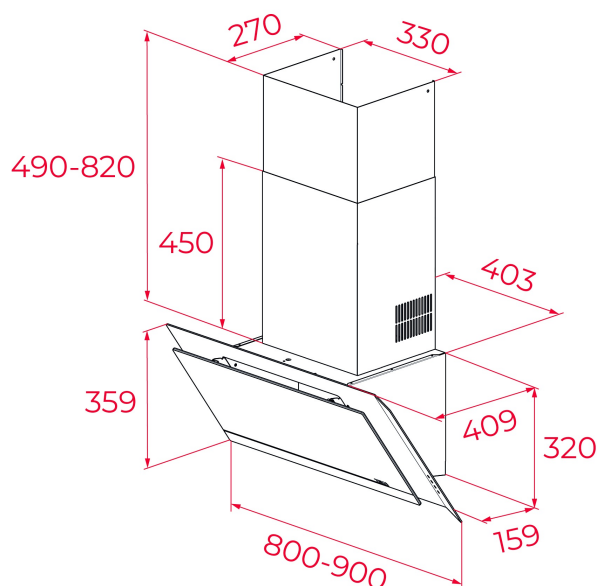




LED

Perimeter
extractionStop Delay
Timer

Fresh AIR



REFERENCE

REF: 112930071

EAN: 8434778031737

FEATURES

Infinity G1 special edition
 Designed in Italy by Italdesign Giugiaro
 Decorative vertical hood
 Exclusive matte black finishing
 Electronic soft buttons
 FreshAir function
 Rim extraction
 EcoPower-Double Turbine Motor
 3 speeds + 1 intensive
 Free Outlet exhaust capacity (m³/h): 738
 Max speed exhaust capacity (m³/h): 800
 Intensive speed sound level: 71,1 dBA
 Max speed sound level: 60 dBA
 Min speed sound level: 47,4 dBA
 2 LED lamps
 2 aluminium filters with 4 layers
 Stop delay timer
 Anti-return valve included
 Optional recirculation kit with tube cover installation: SET 1/N1
 RECIRCULACION DPL/DG/DH/NC
 Optional regenerative recirculation kit with tube cover
 installation: RG1 15200 L3C
 Optional regenerative recirculation kit without tube cover
 installation: RG1 15200 O2C
 Optional Charcoal Filter: D4C
 Optional Regenerative filter: R1RTK

DIMENSIONS

Product height (mm): 810-1140

Product width (mm): 900

Product depth (mm): 409

Product length (mm):

Net weight (Kg): 16,8

TECHNICAL DETAILS

Energy Efficiency Class: A+

Noise (LwA) Min Speed (dB): 47,4

Noise (LwA) Max Speed (dB): 60

Noise (LwA) Boost Speed (dB): 71,1

Ø Outlet (mm): 150

COLOURS



112930071

Black matt