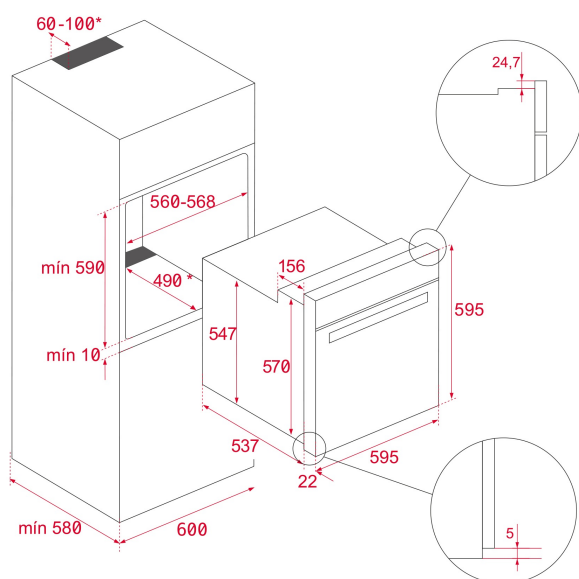


**TEKA****NEO HSB 6350 P SS**

Multifunction pyrolytic oven with 8 cooking functions



70 L

HydroClean  
steam  
cleaning  
systemPyrolysis  
cleaning  
system**REFERENCE**

REF: 111010086

EAN: 8434778034158

**FEATURES**

Neo Series  
 Multifunction Pyrolytic oven  
 Chef functions for automatic programmes  
 ThermoSeal System for a stable temperature inside  
 Ultra-resistant BrightClean enamel  
 FastClick System for tray supports  
 Ergonomic and stylish handle  
 Wider LED display window  
 8 cooking functions  
 Pyrolysis self-cleaning system and automatic HydroClean system  
 Up to 300°C of cooking  
 Mechanical control knobs  
 Electronic LED timer with touch control (Delay/Start function)  
 Chrome supports with 5 cooking levels  
 Removable triple glazed door  
 Automatic disconnection security system  
 Manual quick preheating  
 Door square pattern  
 Flat Stainless-Steel panel  
 Anti-tip deep tray  
 Fingerprint proof stainless steel  
 Capacity (gross/net): 71 / 70 litres

**DIMENSIONS****Product height (mm):** 595**Product width (mm):** 595**Product depth (mm):** 537+22**Product length (mm):****Net weight (Kg):** 34**TECHNICAL DETAILS**

Energy Efficiency Class: A+

Power rate (V): 220/240

Frequency (Hz): 50/60

Maximum Nominal Power (W): 2615

**COLOURS**

111010086

Stainless steel