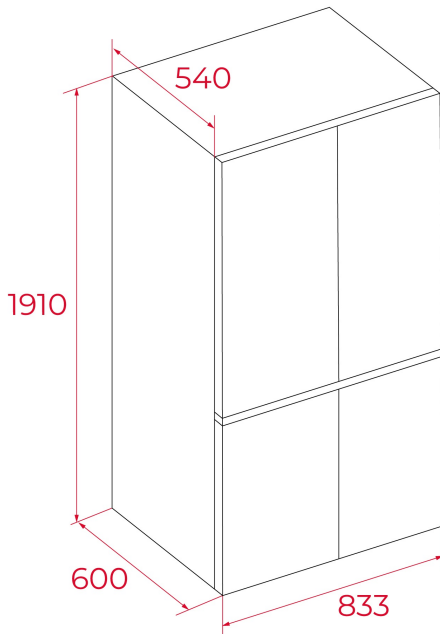


TEKA**RMF 87870 SLN SG**

In-Line Series cross door refrigerator (514 L) perfect fit installation in stone grey

Motor
Inverter

LED

**REFERENCE**

REF: 113430087

EAN: 8434778038736

FEATURES

In-Line Series
Slot-in Cross door refrigerator
Antiox Zone
BioPure Zone
1 FreshBox drawer
6 UltraFreeze Box -30°C
IonGuard Technology
GlassCooling
Total No Frost
Inverter motor
Electronic adjustment thermostat
3 safety shelves with metallic finish
6 door balconies with metallic finish
LED Illumination
Fast freezing and fast cooling function
Key lock indicator
Acoustic alarm
Climate class: SN/N/ST/T
Total capacity (net): 514 litres
Energy Class: E

DIMENSIONS

Product height (mm): 1910
Product width (mm): 833
Product depth (mm): 600
Product length (mm):
Net weight (Kg): 133

TECHNICAL DETAILS

Energy efficiency class (UE 2019/2016): -
Climate Class: SN/N/ST/T
Energy Consumption (Kw/day): 0.845
Annual Consumption (kWh/year): 310
Freezing Capacity: 12
Noise Level (dBA): 37C
Power rate (V): 220-240
Frequency (Hz): 50

COLOURS

113430087

Stone grey