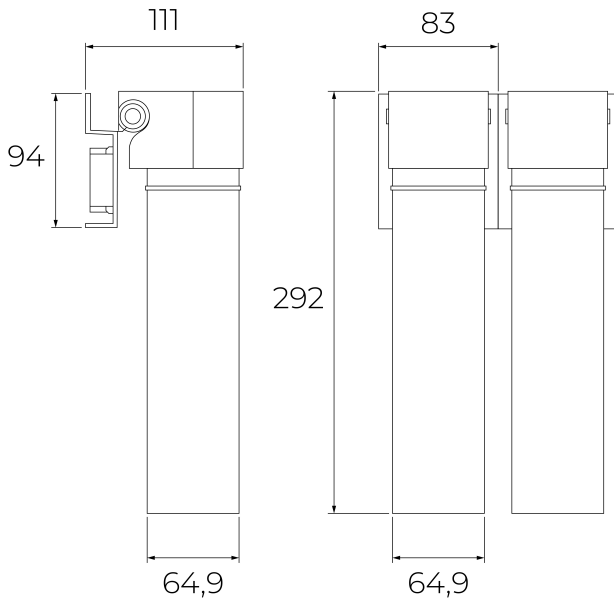


TWF 280

Two-stage under-sink water filter that removes bacteria for safer, cleaner tap water



REFERENCE

REF: 118510001

EAN: 8434778037371

FEATURES

- AquaPure Series
- 2-stages water filtration system
- First stage: PP sediment filter (TWF 10)
- Second stage: UF&C filter (TWF 80)
- Capacity: 3,600 L per stage
- Filter life: 6-12 months per stage
- Flow rate: 1.3 L/min
- Recommended inlet water pressure: 0.1-0.4 MPa
- Operating temperature: 5-38 °C
- Suitable for TDS ≤ 350 ppm
- Improves taste and smell
- Reduces chlorine: ≥80%
- Removes colon bacillus: ≥99.99%
- Oxygen reduction rate: ≥20%
- No visible particles in output water
- pH range: 6.5-8.5
- Under-sink installation
- No UV lamp or power required
- Easy mounting with included brackets and screws

DIMENSIONS

- Product height (mm):** 292
- Product width (mm):** 111
- Product depth (mm):** 166
- Product length (mm):**
- Net weight (Kg):** 1.1

COLOURS

- 118510001 Black