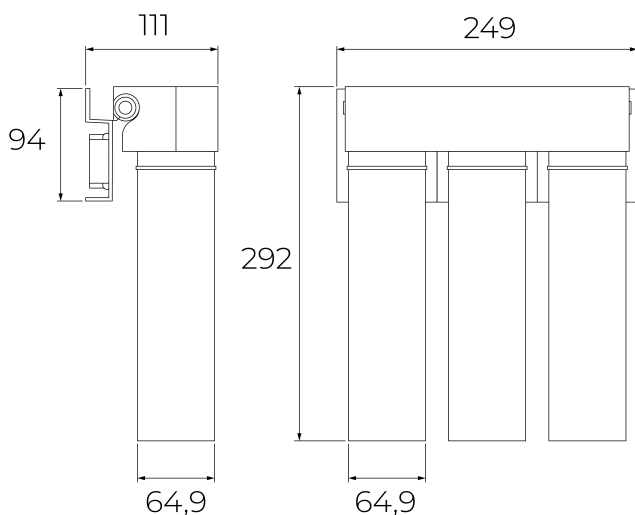


**TWF 330**

Triple-stage under-sink water filter that adds minerals and removes heavy metal from tap water

**REFERENCE**

REF: 118510002

EAN: 8434778037388

**FEATURES**

AquaPure Series

3-stages water filtration system

First stage: PP sediment filter (TWF 10)

Second stage: CB(-Pb) carbon + anti-lead filter (TWF 60)

Third stage: Mineral filter (TWF 30)

Capacity: 3,600 L per stage

Filter life: 6-12 months per stage

Flow rate: 2 L/min

Recommended inlet water pressure: 0.1-0.4 MPa

Operating temperature: 5-38 °C

Suitable for TDS ≤ 350 ppm

Improves taste and smell

Reduces chlorine: ≥80%

Oxygen reduction rate: ≥20%


No visible particles in output water

pH range: 6.5-8.5

Under-sink installation

No UV lamp or power required

Includes 3 cartridges and full installation kit

**DIMENSIONS****Product height (mm):** 292**Product width (mm):** 111**Product depth (mm):** 249**Product length (mm):****Net weight (Kg):** 2.2**COLOURS**
 118510002 Black