

TWP 1280-RO

Two-stage under-sink reverse osmosis purifier for ultra-pure tap water

**REFERENCE**

REF: 118510003

EAN: 8434778037395

FEATURES

AquaPure Series

2-stages water purification system

First stage: PAC powdered activated carbon filter (TWP 140)

Second stage: RO reverse osmosis filter (TWP 198)

Capacity: 3,600 L (PAC) + 7,200 L (RO)

Filter life: 6-12 months (PAC) + 12-24 months (RO)

Flow rate: 1.5 L/min

Recommended inlet water pressure: 0.1-0.4 Mpa

Operating temperature: 5-38 °C

Suitable for TDS ≤ 350 ppm

Improves taste and smell

Reduces chlorine: ≥90%

Removes heavy metals and bacteria: ≥99.99%

Desalination: ≥90%

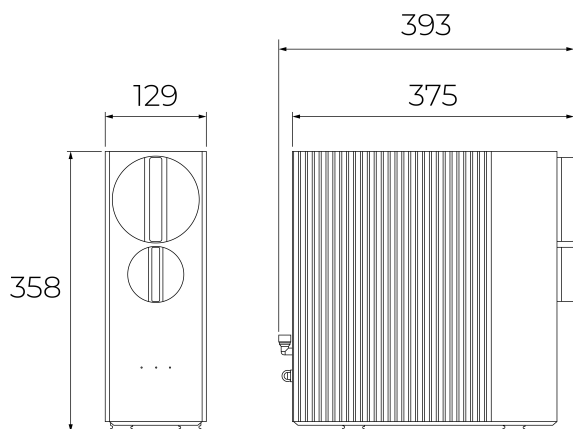
No visible particles in output water

pH range: 6.5-8.5 alkalinescence

Input voltage: 100-240 V, 50/60 Hz

Power consumption: 85 W

Includes PE tubing, drain saddle, and flow restrictor

**DIMENSIONS****Product height (mm):** 358**Product width (mm):** 375**Product depth (mm):** 129**Product length (mm):****Net weight (Kg):** 7,4**COLOURS**

118510003

Black