

TEKA**C 6310**

Classical integrated hood with 3 speeds and 1 motor

REFERENCE

REF: 40461540

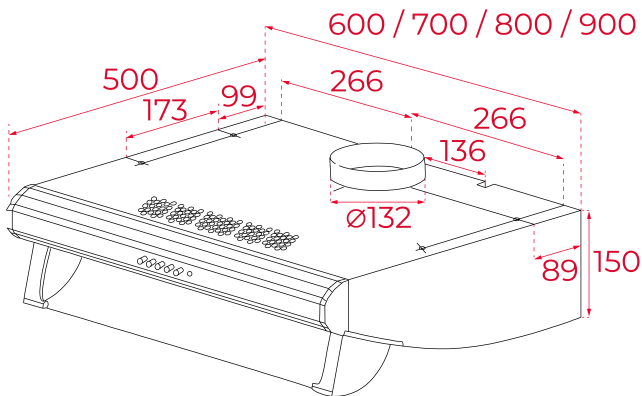
EAN: 8421152146057



LED

FEATURES

Classic hood
Push buttons control
3 speeds
Free Outlet exhaust capacity (m³/h): 254
Max speed exhaust capacity (m³/h): 235
Min speed exhaust capacity (m³/h): 124
Max speed sound level (dBA): 66
Min speed sound level (dBA): 49
2 LED lamps
2 aluminium filters
Operating pilot light
Anti-return valve included
Optional Charcoal Filter: C2R

DIMENSIONS**Product height (mm):** 150**Product width (mm):** 600**Product depth (mm):** 500**Product length (mm):****Net weight (Kg):** 6,65**TECHNICAL DETAILS**

Energy Efficiency Class: D

Noise (LwA) Min Speed (dB): 45

Noise (LwA) Max Speed (dB): 66

Noise (LwA) Boost Speed (dB): N/A

Ø Outlet (mm): 120

COLOURS

40461540

Stainless steel



40461541

White